

## Support bases with connection joint



### Material

Glass-fibre reinforced polyamide based (PA) technopolymer. Resistant to solvents, oils, greases and other chemical agents.

### Colour

Black, matte finish.

### Assembly of levelling elements

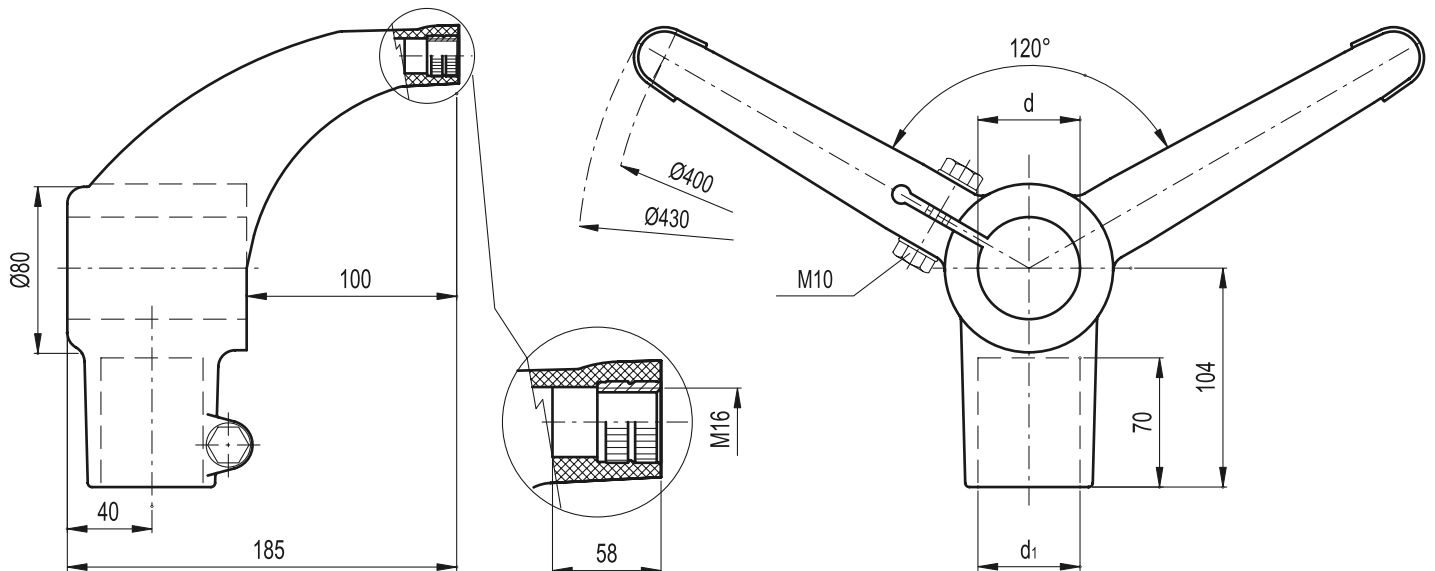
Brass bosses, tapped through holes for the assembly of levelling elements series LS.A (see page 716), LV.A (see page 730), LV.F (see page 736) (available as accessories sold separately).

### Clamping system

- Execution **A**: nuts, M10 screws and washers in zinc-plated steel.
- Execution **SST**: nuts, M10 screws and washers in AISI 304 stainless steel.

### Features and applications

The absence of cavities and the slightly round shapes offer a modern and elegant aesthetics and guarantees the best cleaning.



Standard Elements				Tube assembly holes				△△ g
Execution A		Execution SST		d		d <sub>1</sub>		
Code	Description	Code	Description	mm	inch (BSP/GAS)	mm	inch (BSP/GAS)	
419620	BAG2-120-42-42-A	419621	BAG2-120-42-42-SST	42.4	1"1/4	42.4	1"1/4	740
419618	BAG2-120-48-42-A	419619	BAG2-120-48-42-SST	48.3	1"1/2	42.4	1"1/4	730
419616	BAG2-120-48-48-A	419617	BAG2-120-48-48-SST	48.3	1"1/2	48.3	1"1/2	720
419614	BAG2-120-60-42-A	419615	BAG2-120-60-42-SST	60.3	2"	42.4	1"1/4	710
419612	BAG2-120-60-48-A	419613	BAG2-120-60-48-SST	60.3	2"	48.3	1"1/2	700