

HCY/E+ST

Column level indicators with MIN level and MAX temperature electrical sensors



Material

Transparent polyamide based (PA-T) technopolymer. Highly resistant to shocks, solvents, oils with additives, aliphatic and aromatic hydrocarbons, petrol, naphtha, phosphoric esters. Avoid contact with alcohol or detergents containing alcohol.

Screws

Nickel-plated brass with hexagon socket.

Packing ring

NBR synthetic rubber O-Ring.

Float

Polyamide based (PA) technopolymer, red colour, with a built-in magnetic element to activate the electric contact when the oil level drops to a minimum, set at 40mm over the screw axis (dimension I).

MIN level electrical sensor

With electrical contacts normally open (N.A.) or normally closed (N.C.), it generates an electric signal when the oil level reaches the minimum level. The inside of the cavity where the sensor is contained is completely resinated in order to increase the insulation.

Connector

Right side output including protection against water sprays (protection class IP 65).

MAX temperature electrical sensor (80°)

With electrical contact normally open (N.A.) or normally closed (N.C.), it is set at a standard intervention temperature of 80°C, next to a metallic plate which serves as a conductor of the heat of the fluid for a faster transmission and a lower dissipation. The inside of the cavity where the sensor is contained is completely resinated in order to increase the insulation.

Contrast screen

Aluminium. The housing, in the appropriate external rear slot, guarantees the best protection from direct contact with fluid, avoiding yellowing effect due to the prolonged action of the fluid at high temperatures.

Maximum continuous working temperature

80°C (with oil).

Screw-covers

Polyamide based technopolymer, grey colour.

Technical data

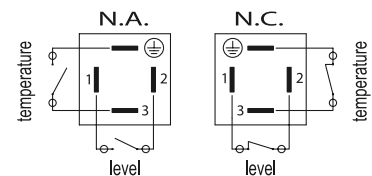
In laboratory tests carried out with mineral oil for hydraulic systems type CB68 (according to ISO 3498) with gradually increasing pressure, at 23°C, the weld stood up as follows:

- HCY.76 14 bar
- HCY.127 9 bar
- HCY.254 8 bar

In any case we suggest to verify the suitability of the product under the actual working conditions. If you need to use the indicator with other oils or fluids and under different pressure and temperature conditions, please contact ELESA Technical Department or carry out tests in order to guarantee a proper use.

Special executions on request (For sufficient quantities)

- Column level indicators in different materials (POLYCARBONATE), for use with special fluids and/or at high temperatures.
- AISI 316 stainless steel or nickel-plated brass screws.
- Column level indicators with change-over electrical contact.
- Execution with PT100 temperature electrical probe for connection to PLC.
- Electrical sensors set at the following temperatures: 50°-60°-70°C.



Electric characteristics	MIN level sensor	MAX temperature sensor
Power supply	AC/DC	AC/DC
Electric contacts	N.A. normally open N.C. normally closed	
Maximum applicable voltage	150 Vac, 200 Vdc	250 Vac, 60 Vdc
Maximum opening current	1 A resistive loads	3 A resistive loads
Maximum rated capacity	1.5 A (power on contact 20 W)	6 A
Cable gland	Pg 7 (for cables in sheath with Ø 6 o 7 mm)	
Conductors cross-section	Max 1.5 mm ²	

Do not mount this indicator in proximity to magnetic fields.

Drilling and installation data			
Description	d'±0.2	f'±0.2	Maximum tightening torque
HCY.76	12.5	76	12 Nm
HCY.127	12.5	127	12 Nm
HCY.254	12.5	254	10 Nm

15
1036

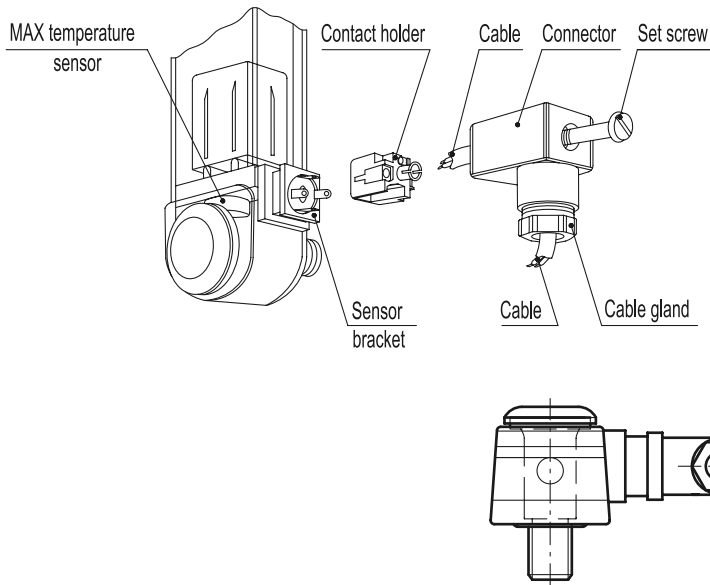
Accessories for hydraulic systems



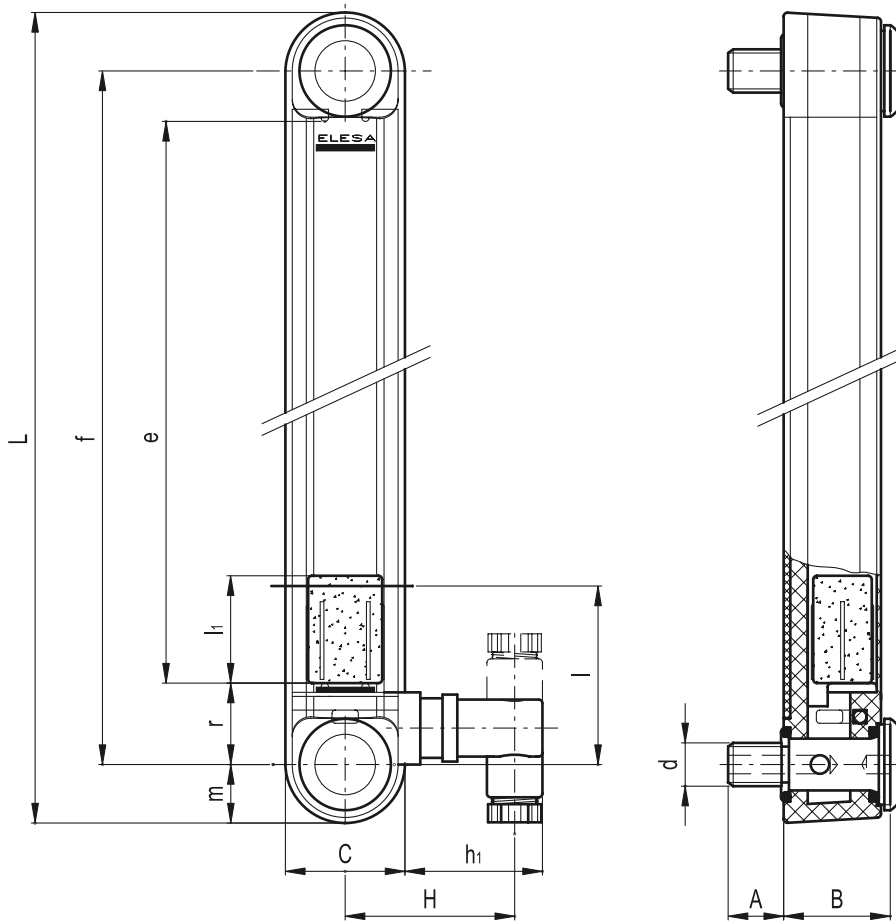
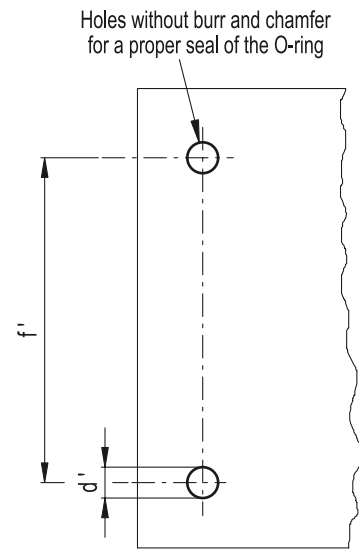
ELESA and GANTER models all rights reserved in accordance with the law. Always mention the source when reproducing our drawings.

HCY/E+ST

Assembly instructions



Drilling template



Standard Elements		Main dimensions													⚖
Code	Description	f	d	A	B	C	H	h ₁	L	e	l	h	m	r	g
111151	HCY.76-E-ST-N.A.-M12	76	M12	21	29	32	46	37	108	41	40	17	16	20	175
111152	HCY.76-E-ST-N.C.-M12	76	M12	21	29	32	46	37	108	41	40	17	16	20	175
111161	HCY.127-E-ST-N.A.-M12	127	M12	21	29	32	46	37	159	93	40	29	16	20	173
111162	HCY.127-E-ST-N.C.-M12	127	M12	21	29	32	46	37	159	93	40	29	16	20	173
111171	HCY.254-E-ST-N.A.-M12	254	M12	21	29	32	46	37	286	219	40	29	16	20	240
111172	HCY.254-E-ST-N.C.-M12	254	M12	21	29	32	46	37	286	219	40	29	16	20	240