

Column level indicators with MIN level electrical sensor



• Material

Transparent polyamide based (PA-T) technopolymer. Highly resistant to shocks, solvents, oils with additives, aliphatic and aromatic hydrocarbons, petrol, naphtha, phosphoric esters.
Avoid contact with alcohol or detergents containing alcohol.

• Screws

Nickel-plated brass with hexagon socket.

• Packing rings

NBR synthetic rubber O-Ring.

• Float

Polyamide based (PA) technopolymer, red colour, with a built-in magnetic element to activate the electric contact when the oil level drops to a minimum, set at 40mm over the screw axis (dimension I).

• Sensor bracket

Watertight, black colour, with a built-in relay (reed).

Two executions available:

- with electrical contact normally open HCY/E-N.A.
- with electrical contact normally closed HCY/E-N.C.

• Connector

Right side output including protection against water sprays (protection class IP 65).

• Contrast screen

Aluminium. The housing, in the appropriate external rear slot, guarantees the best protection from direct contact with fluid, avoiding yellowing effect due to the prolonged action of the fluid at high temperatures.

• Maximum continuous working temperature

80°C (with oil).

Technical data

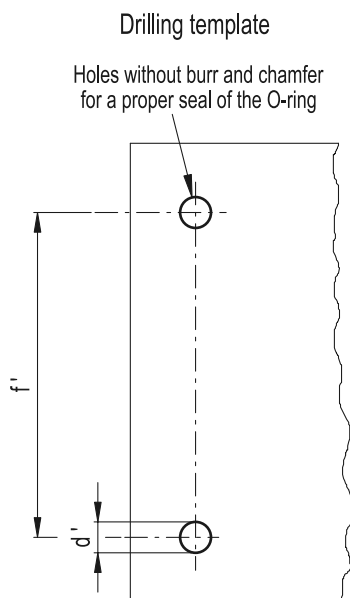
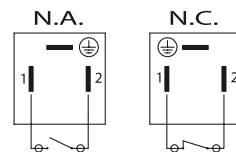
In laboratory tests carried out with mineral oil for hydraulic systems type CB68 (according to ISO 3498) with gradually increasing pressure, at 23°C, the weld stood up as follows:

- HCY.76 14 bar
- HCY.127 9 bar
- HCY.254 8 bar

In any case we suggest to verify the suitability of the product under the actual working conditions. If you need to use the indicator with other oils or fluids and under different pressure and temperature conditions, please contact ELESA Technical Department or carry out tests in order to guarantee a proper use.

Special executions on request (For sufficient quantities)

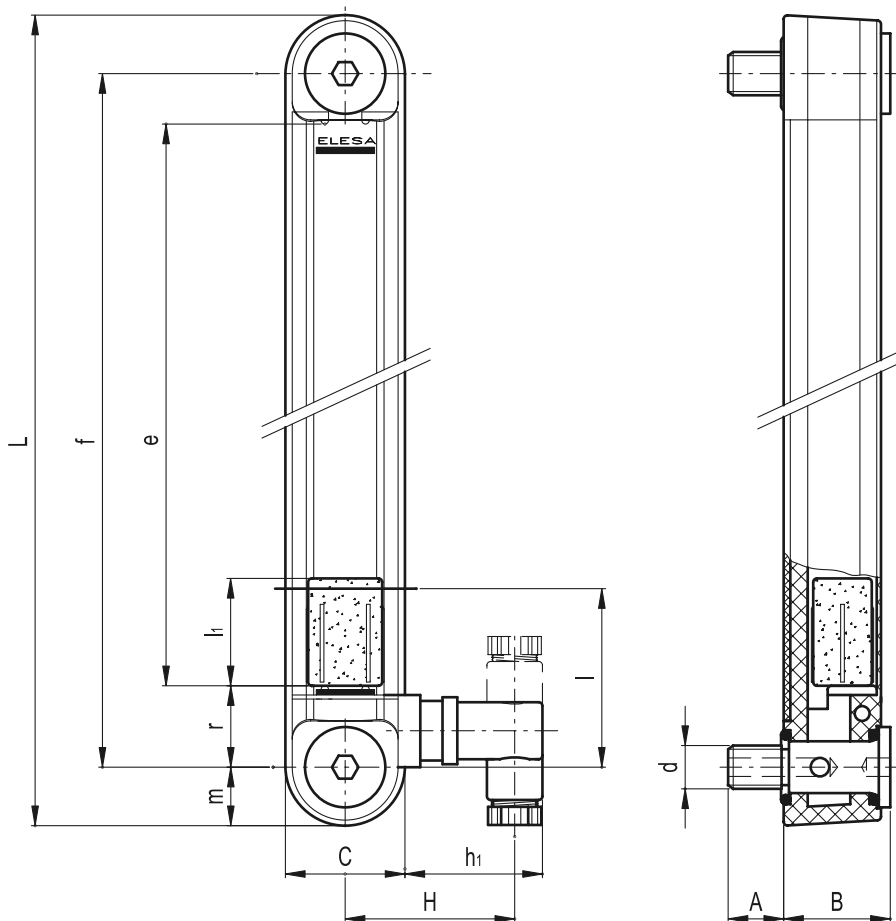
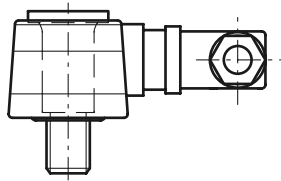
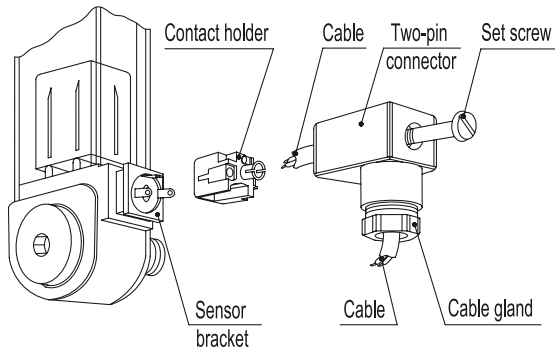
- Column level indicators in different materials (POLYCARBONATE), for use with special fluids and/or at high temperatures.
- AISI 316 stainless steel or nickel-plated brass screws.
- Column level indicators with change-over electrical contact.



Electric characteristics	MIN level sensor
Power supply	AC/DC
Electric contacts	N.A. normally open N.C. normally closed
Maximum applicable voltage	150 Vac, 200 Vdc
Maximum opening current	1 A resistive loads
Maximum rated capacity	1.5 A (power on contact 20 W)
Cable gland	Pg 7 (for cables in sheath with Ø 6 o 7 mm)
Conductors cross-section	Max 1.5 mm ²
Do not mount this indicator in proximity to magnetic fields.	

Drilling and installation data			
Description	d'±0.2	f'±0.2	Maximum tightening torque
HCY.76	10.5	76	12 Nm
HCY.127	12.5	127	12 Nm
HCY.254	12.5	254	10 Nm

Assembly instructions



Standard Elements		Main dimensions													△△
Code	Description	f	d	A	B	C	H	h ₁	L	e	l	h ₁	m	r	g
111101	HCY.76-E-N.A.-M10	76	M10	15	29	32	46	37	108	41	40	17	16	20	150
111102	HCY.76-E-N.C.-M10	76	M10	15	29	32	46	37	108	41	40	17	16	20	150
111111	HCY.127-E-N.A.-M12	127	M12	15	29	32	46	37	159	93	40	29	16	20	170
111112	HCY.127-E-N.C.-M12	127	M12	15	29	32	46	37	159	93	40	29	16	20	170
111121	HCY.254-E-N.A.-M12	254	M12	15	29	32	46	37	286	219	40	29	16	20	215
111122	HCY.254-E-N.C.-M12	254	M12	15	29	32	46	37	286	219	40	29	16	20	215