

# HCX/P

ELESA Original design

## Column level indicators with protection frame



### • Material

Transparent polyamide based (PA-T) technopolymer. Highly resistant to shocks, solvents, oils with additives, aliphatic and aromatic hydrocarbons, petrol, naphtha, phosphoric esters. Avoid contact with alcohol or detergents containing alcohol.

### • Protection frame

Zinc-alloy, sandblasted and treated finish.

### • Screws, nuts and washers

Zinc-plated steel.

### • Packing rings

NBR synthetic rubber.

### • Contrast screen

White lacquered aluminium. The housing, in the appropriate external rear slot, guarantees the best protection from direct contact with fluid, avoiding yellowing effect due to the prolonged action of the fluid at high temperatures.

It can be removed before installation to fit marks and words (for example MAX-MIN).

### • Thermometer

HCX/T+P: incorporated thermometer for temperature reading.

### • Assembly

- When nuts can be fitted from the inside of the reservoir, by means of the supplied set screws and nuts.

- When nuts cannot be fitted from the inside of the reservoir and the walls are thick enough, by means of the supplied set screws, without nuts, by tapping the two holes in the reservoir walls.

- When nuts cannot be fitted from the inside of the reservoir and the walls are not thick enough, by means of the supplied set screws and the Fast Mounting Kit (see page 1040).

To ensure the best sealing of the O-rings it is recommended to apply the maximum torque on the nuts as reported in the table and a roughness of the gasket application surface  $R_a = 3 \mu m$ .

### • Maximum continuous working temperature

90°C (with oil).

### Special executions on request (For sufficient quantities)

Level indicators for use with fluids containing alcohol or with hot water.

### Features and performances

Assembled using ultrasound welding to guarantee a perfect seal. The frame is equipped with a wide front opening and three slots on each side that, combined with the indicator made entirely of transparent material, guarantee maximum fluid level visibility even from side positions. Visibility and temperature reading magnified by lens effect.

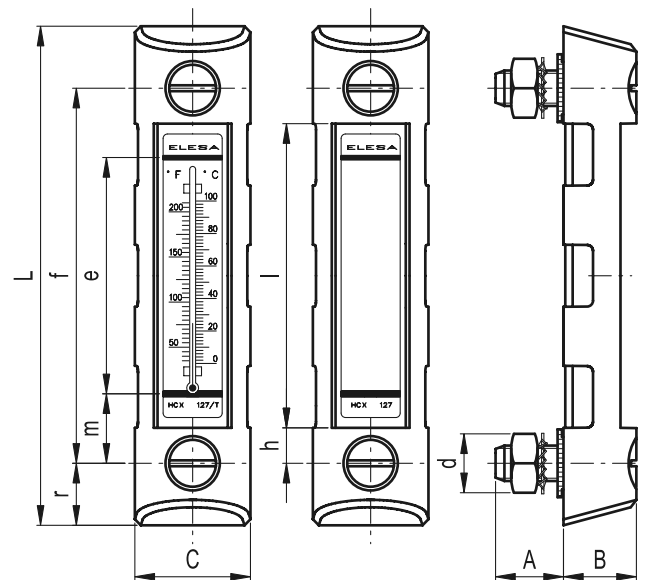
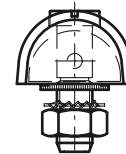
All shocks are absorbed by the frame that transmits them directly onto the wall of the reservoir, since the indicator is suspended between the rubber packing rings.

### Technical data

During breaking strength tests performed in ELESA laboratories, the indicator with the frame withstood violent shocks up to 35 J.

In laboratory tests carried out with mineral oil for hydraulic systems type CB68 (according to ISO 3498) with gradually increasing pressure, at 23°C, the weld stood up to 18 bar.

In any case we suggest to verify the suitability of the product under the actual working conditions. If you need to use the indicator with other oils or fluids and under different pressure and temperature conditions, please contact ELESA Technical Department or carry out tests in order to guarantee a proper use.



### Drilling and installation data

Code	d'-0.2	f'±0.2	Maximum tightening torque
HCX.127	12.5	127	12

Elesa Standards		Main dimensions											△△
Code	Description	f	d	A	B	C	L	e	h	l	m	r	g
11371	HCX.127-P-M12	127	M12	23	25	39	169	80	12	103	23	21	279
11376	HCX.127/T-P-M12	127	M12	23	25	39	169	80	12	103	23	21	281



ELESA and GANTER models all rights reserved in accordance with the law. Always mention the source when reproducing our drawings.