

# FM Kit

## Fast Mounting Kit



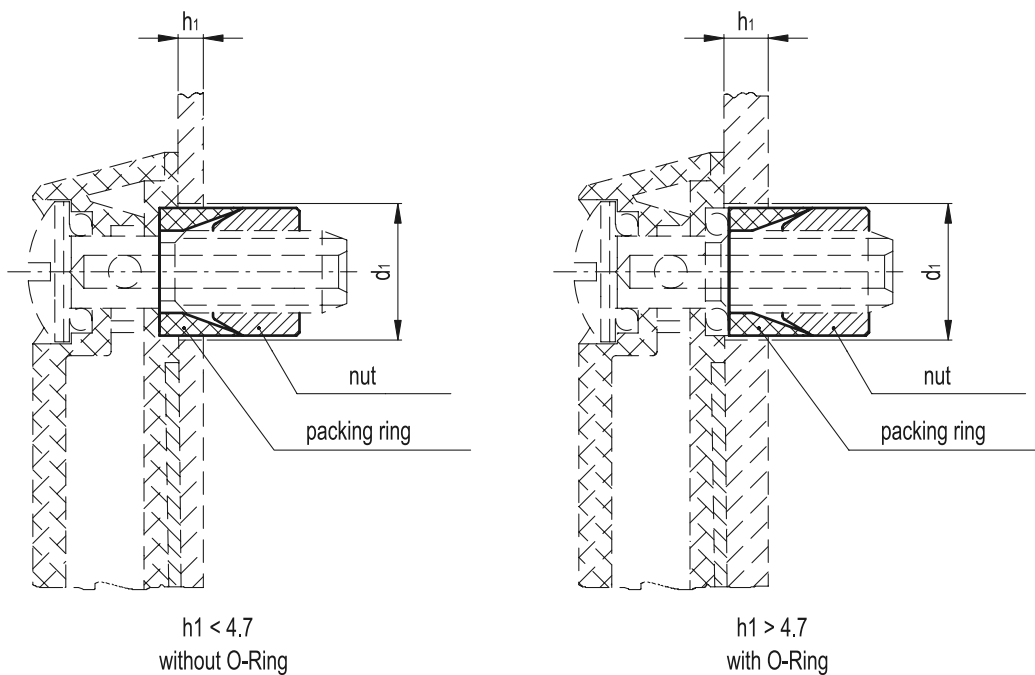
- **Nut**  
Zinc-plated steel.
- **Packing ring**  
NBR synthetic rubber.

### Features

The Fast Mounting Kit has been designed for mounting level indicators series HCX. (measures 76 and 127) from the outside when nuts cannot be fitted from the inside of the reservoir.

### Assembly of the indicator with the Fast Mounting Kit

1. Follow the assembly data reported in the table.
2. Make sure that the hole in the plate does not have any burs, especially inside the reservoir.
3. Before assembly the indicator on the reservoir, slightly tighten the nut by hand against the packing ring. We advise you, then, to deform slightly the threaded end of the screw in order to prevent the nut from falling into the reservoir while disassembling the indicator.
4. To disassemble the indicator from the reservoir, just rotate the screw 3/4 of a turn keeping the plastic part of the indicator under tension (pulling).



Elesa Standards		d1 +0.1	Without O-Ring		With O-Ring		Maximum tightening torque
Code	Description		h1 min	h1 max	h1 min	h1 max	
31801	Kit Fast Mounting HCX.76-M10	16	1.5	4.7	4.7	6.3	7
31811	Kit Fast Mounting HCX.127-254-M12	17.5	1.5	4.7	4.7	6.3	7



**eleSa-GANTER**

ELESA and GANTER models all rights reserved in accordance with the law. Always mention the source when reproducing our drawings.