

HRT.

ELESA Original design

Oil level indicators push-fit



- **Material**
Polyamide based (PA) technopolymer. Resistant to solvents, oils, greases and other chemical agents.
- **Colour**
Black, matte finish.
- **Window**
Transparent polyamide based (PA-T/AR) technopolymer. Resistant to alcohol, solvents, oils with additives, greases, acids and alkali.
- **Contrast screen**
White lacquered aluminium with red level line.
- **Packing ring**
NBR synthetic rubber O-Ring.
- **Maximum continuous working temperature**
100°C.

Features and applications

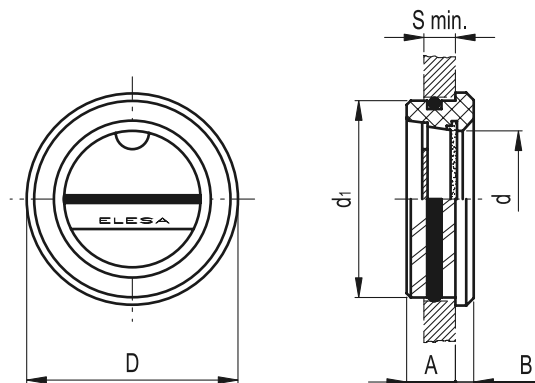
The push-fit assembly is guaranteed by optimized ribbings. Sealing is guaranteed by the O-ring. HRT. oil level indicators push-fit are particularly suitable for assembly on reservoirs with limited pressure.

Assembly instructions

Chamfer hole 1x45° and grease slightly the outside surface of the O-ring to make assembly easier.

Note

For use with fluids containing special additives, please contact ELESA Sales Department.



Elesa Standards		Main dimensions						⚖
Code	Description	d ₁	A	B	D	d	S _{min}	g
10751	HRT.15-26	Ø26 +0.2	9	4.5	28	14.5	6	6
10756	HRT.20-32	Ø32 +0.2	10.5	4.5	36	18	8	10
10761	HRT.25-38	Ø38 +0.2	11	5	42	23	8	12
10766	HRT.40-60	Ø60 -0.2	11	5.5	64	40	9	29

HE.

ELESA Original design

Oil level indicators push-fit



- **Material**
Transparent high mechanical resistance polycarbonate. Resistant to acids, alkali, greases and oils. Not suitable for use with oils with additives and solvents. Avoid contact with alcohol or detergents containing alcohol.
- **Contrast screen**
White lacquered aluminium with red level line.
- **Packing ring**
NBR synthetic rubber O-Ring.
- **Maximum continuous working temperature**
100°C.

Features and applications

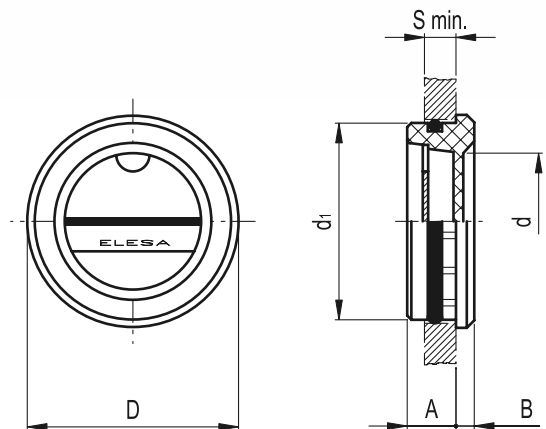
The push-fit assembly is guaranteed by optimized ribbings. Sealing is guaranteed by the O-ring. HE. oil level indicators push-fit are particularly suitable for assembly on reservoirs with limited pressure.

Assembly instructions

Chamfer hole 1x45° and grease slightly the outside surface of the O-ring to make assembly easier.

Note

For use with fluids containing special additives, please contact ELESA Sales Department.



Elesa Standards		Main dimensions						⚖
Code	Description	d ₁	A	B	D	d	S _{min}	g
11401	HE.17	Ø17 H11	6.5	3	18	9	5	2
11501	HE.20	Ø20 H11	8	3	21	12	6	3
11601	HE.26	Ø26 H11	7.5	3.5	28	17	6	5
11701	HE.30	Ø30 H11	8	4	32	20	7	7
11801	HE.35	Ø35 H11	9	4	38	25	8	10
11901	HE.40	Ø40 H11	10	4.5	43	28	9	13
12001	HE.45	Ø45 H11	11	5.5	47	32	9	18

15

1004

Accessories for hydraulic systems



ELESA and GANTER models all rights reserved in accordance with the law. Always mention the source when reproducing our drawings.