

HRT/T

ELESA Original design

Oil level and temperature indicators push-fit



• Material

Polyamide based (PA) technopolymer. Resistant to solvents, oils, greases and other chemical agents.

• Colour

Black, matte finish.

• Window

Transparent polyamide based (PA-T/AR) technopolymer. Resistant to alcohol, solvents, oils with additives, greases, acids and alkali.

• Contrast screen with bimetallic thermometer

Graduated scale up to 100°C to read oil temperature, even when oil level is at minimum, thanks to the conductivity of the aluminium contrast screen.

• Packing ring

NBR synthetic rubber O-Ring.

• Maximum continuous working temperature

100°C.

Features and applications

The push-fit assembly is guaranteed by optimized ribbings. Sealing is guaranteed by the O-ring. HRT/T oil level indicators push-fit are particularly suitable for assembly on reservoirs with limited pressure.

Assembly instructions

Chamfer hole 1x45° and grease slightly the outside surface of the O-ring to make assembly easier.

Note

For use with fluids containing special additives, please contact ELESA Sales Department.

GH.

Nuts

• Material

Brass.

Features and applications

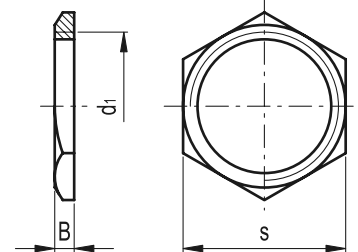
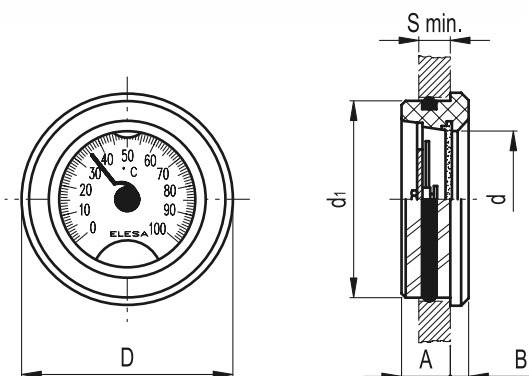
GH. nuts can be used for fitting the following indicators to reservoirs with wall thickness smaller than 5 mm:

- HGFT. (see page 990)
- HFTX. (see page 991)
- GN 743 (see page 992)
- GN 743.1 (see page 993)
- HGFT.PR (see page 1000)
- HFTX.PR (see page 1001)
- HGFT.HT-PR (see page 1002)
- GN 744 (see page 1003)
- HCFE. (see page 1007)
- HCFE/C (see page 1007).

15

1006

Accessories for hydraulic systems



Elesa Standards		Main dimensions						△△
Code	Description	d ₁	A	B	D	d	S _{min}	g
10781	HRT.25/T-38	Ø38 ^{+0.2}	11	5	42	23	8	12
10786	HRT.40/T-60	Ø60 ^{-0.2}	11	5.5	64	40	9	29

Elesa Standards		Main dimensions			△△
Code	Description	d ₁	B	s	g
15001	GH. 3/8	G 3/8	3	19	3
15011	GH. 1/2	G 1/2	4	26	8
15021	GH. 3/4	G 3/4	5	31	12
15031	GH. 1	G 1	4.5	37	14
15041	GH. 1¼	G 1¼	5	46	23
15051	GH. 2	G 2	6	65	50



elesa-ganter

ELESA and GANTER models all rights reserved in accordance with the law. Always mention the source when reproducing our drawings.