

HGFT.PR

ELESA Original design

Prismatic oil level indicators



- **Material**
Polyamide based (PA) technopolymer. Resistant to solvents, oils, greases and other chemical agents.
- **Colour**
Black, glossy finish.
- **Prismatic window**
Transparent polyamide based (PA-T/AR) technopolymer. Resistant to alcohol, solvents, oils with additives, greases, acids and alkali. The window consists of a continuous series of prisms which provide a clear and immediate reading of the level of the oil contained in the reservoir.
- **Flat packing ring**
NBR synthetic rubber.
- **Maximum continuous working temperature**
100°C at 3 bar pressure.



Accessories on request

Brass nut type GH. (see page 1006) for fitting to reservoirs with wall thickness smaller than 5 mm.

Technical data

An adequate tightening torque (see table below) is recommended when screwing the oil level indicator, so as to guarantee optimal tightness without any deformation of the packing ring. Suggested tightening torque is the result of laboratory tests at ambient temperature (23°C) with indicator, packing ring and reservoir walls perfectly cleaned.

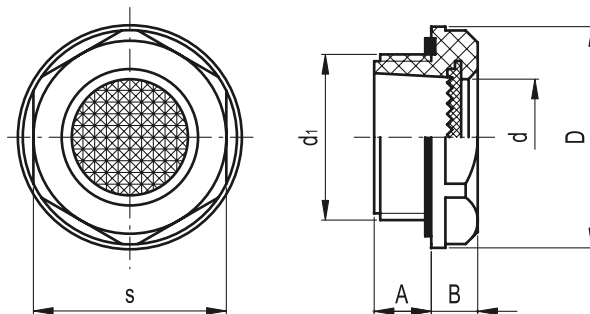
Note

For use with fluids containing special additives, please contact ELESA Sales Department.

15

1000

Accessories for hydraulic systems



| Elesa Standards | | Main dimensions | | | | | | Tightening torque | △△ |
|-----------------|----------------|-----------------|-----|-----|------|------|----|-------------------|----|
| Code | Description | d ₁ | A | B | D | d | s | [Nm] | g |
| 14462 | HGFT.13/PR-1/2 | G 1/2 | 10 | 8.5 | 28 | 14.5 | 24 | 6÷8 | 5 |
| 14482 | HGFT.16/PR-3/4 | G 3/4 | 9.5 | 8.5 | 35 | 18 | 32 | 8÷10 | 9 |
| 14522 | HGFT.21/PR-1 | G 1 | 11 | 9.5 | 42.5 | 23 | 38 | 10÷12 | 14 |



ELESA and GANTER models all rights reserved in accordance with the law. Always mention the source when reproducing our drawings.