

HGFT.HT-PR

ELESA Original design

Prismatic oil level indicators for application with high temperatures



- **Material**

Polyamide based (PA) technopolymer. Resistant to alcohol (methanol), solvents, oils with additives, greases, hydrocarbons and other chemical agents.

- **Colour**

Black, glossy finish.

- **Prismatic window**

Transparent sulphonic based technopolymer. Resistant to alcohol (methanol), solvents, oils with additives, greases, hydrocarbons, acids and alkali. The window consists of a continuous series of prisms which provide a clear and immediate reading of the level of the oil contained in the reservoir.

- **Flat packing ring**

FKM (type VITON®, registered trade mark of DuPont Dow Elastomers).

- **Maximum continuous working temperature**

140°C at 7 bar pressure.



Accessories on request

Brass nut type GH. (see page 1006) for fitting to reservoirs with wall thickness smaller than 5 mm.

Technical data

An adequate tightening torque (see table below) is recommended when screwing the oil level indicator, so as to guarantee optimal tightness without any deformation of the packing ring. Suggested tightening torque is the result of laboratory tests at ambient temperature (23°C) with indicator, packing ring and reservoir walls perfectly cleaned.

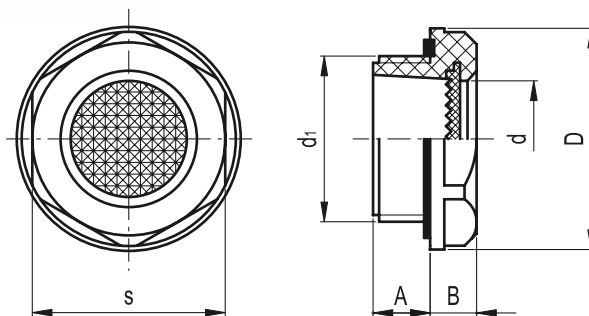
Note

For use with fluids containing special additives, please contact ELESA Sales Department.

15

1002

Accessories for hydraulic systems



Elesa Standards		Main dimensions						Tightening torque	Δ
Code	Description	d ₁	A	B	D	d	s	[Nm]	g
14463	HGFT.13/HT-PR-1/2	G 1/2	10	8.5	28	14.5	24	6÷8	5
14483	HGFT.16/HT-PR-3/4	G 3/4	9.5	8.5	35	18	32	8÷10	9
14523	HGFT.21/HT-PR-1	G 1	11	9.5	42.5	23	38	10÷12	14



ELESA and GANTER models all rights reserved in accordance with the law. Always mention the source when reproducing our drawings.