

HFTX.PR

ELESA Original design

Prismatic oil level indicators



- **Threaded body with prismatic window**

Transparent polyamide based (PA-T) technopolymer. Resistant to solvents, oils with additives, greases, acids and alkali. Avoid contact with alcohol or detergents containing alcohol.

The window consist of a continuous series of prisms which provide a clear and immediate reading of the level of the oil contained in the reservoir.

- **Flat packing ring**

NBR synthetic rubber.

- **Maximum continuous working temperature**

110°C.

Accessories on request

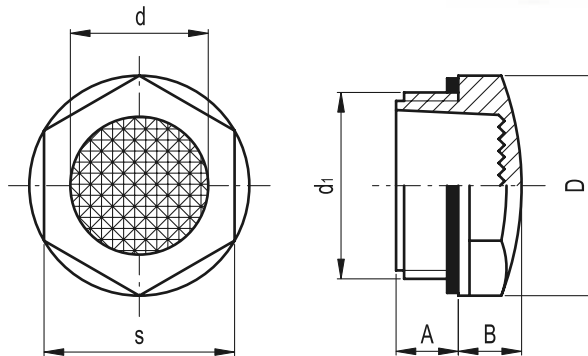
Brass nut type GH. (see page 1006) for fitting to reservoirs with wall thickness smaller than 5 mm.

Technical data

An adequate tightening torque (see table below) is recommended when screwing the oil level indicator, so as to guarantee optimal tightness without any deformation of the packing ring. Suggested tightening torque is the result of laboratory tests at ambient temperature (23°C) with indicator, packing ring and reservoir walls perfectly cleaned.

Note

For use with fluids containing special additives, please contact ELESA Sales Department.



Elesa Standards		Main dimensions						Tightening torque	△△
Code	Description	d ₁	A	B	D	d	s	[Nm]	g
13652	HFTX.9/PR-1/4	G 1/4	10	6	18	9	15	2÷3	3
13672	HFTX.12/PR-3/8	G 3/8	7.5	7	22	11	19	3÷5	4
13692	HFTX.15/PR-1/2	G 1/2	10.5	8	26	14	22	4÷6	5
13722	HFTX.20/PR-3/4	G 3/4	10.5	9	31.5	20	27	6÷8	8
13742	HFTX.24/PR-1	G 1	11	10	40	25	34	8÷10	12