

# HCFE.

ELESA Original design

## Oil circulation sights



### • Material

Transparent polyamide based (PA-T) technopolymer. Resistant to solvents, oils with additives, greases, acids and alkali. Avoid contact with alcohol or detergents containing alcohol.

### • Flat packing ring

NBR synthetic rubber.

### • Maximum continuous working temperature

110°C.

### Accessories on request

Brass nut type GH. (see page 1006) for fitting to reservoirs with wall thickness smaller than 5 mm.

### Technical data

An adequate tightening torque (see table below) is recommended when screwing the oil circulation sight, so as to guarantee optimal tightness without any deformation of the packing ring. Suggested tightening torque is the result of laboratory tests at ambient temperature (23°C) with sight, packing ring and reservoir walls perfectly cleaned.

### Note

For use with fluids containing special additives, please contact ELESA Sales Department.

# HCFE/C

ELESA Original design

## Dome-shaped level indicators



### • Material

Transparent polyamide based (PA-T) technopolymer. Resistant to solvents, oils with additives, greases, acids and alkali. Avoid contact with alcohol or detergents containing alcohol.

### • Circle for oil level check

Tampoprinted, red colour. Resistant to oils with additives, greases, alkali and white spirit; resistant to abrasions under normal working conditions. Avoid contact with solvents, alcohol or detergents containing alcohol.

### • Flat packing ring

NBR synthetic rubber.

### • Maximum continuous working temperature

110°C.

### Accessories on request

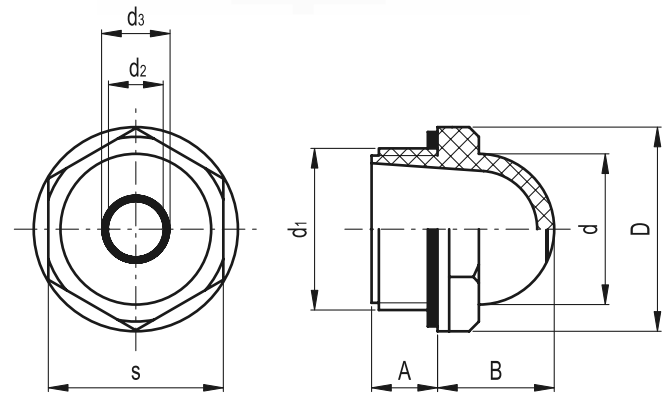
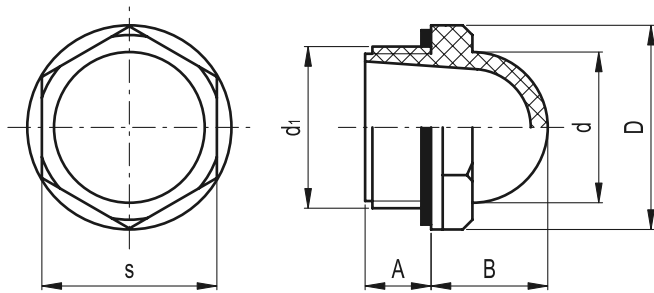
Brass nut type GH. (see page 1006) for fitting to reservoirs with wall thickness smaller than 5 mm.

### Technical data

An adequate tightening torque (see table below) is recommended when screwing the dome-shaped level indicator, so as to guarantee optimal tightness without any deformation of the packing ring. Suggested tightening torque is the result of laboratory tests at ambient temperature (23°C) with indicator, packing ring and reservoir walls perfectly cleaned.

### Note

For use with fluids containing special additives, please contact ELESA Sales Department.



Elesa Standards		Main dimensions						Tightening torque	⚖
Code	Description	d1	A	B	D	d	s	[Nm]	g
10851	HCFE.12-3/8	G 3/8	7.5	13	22.5	15	19	3÷5	4
10901	HCFE.15-1/2	G 1/2	10.5	16	26	19	22	4÷6	5
11001	HCFE.20-3/4	G 3/4	10.5	19.5	31.5	25	27	6÷8	8
11101	HCFE.24-1	G 1	11	24	42	31	36	8÷10	18
11111	HCFE.30-1¼	G 1¼	11.5	26.5	46.5	38	40.5	12÷15	22

Elesa Standards		Main dimensions							Tightening torque	⚖	
Code	Description	d1	A	B	D	d	d2	d3	s	[Nm]	g
10906	HCFE.15/C-1/2	G 1/2	10.5	16	26	19	6	7	22	4÷6	5
11006	HCFE.20/C-3/4	G 3/4	10.5	19.5	31.5	25	11	12	27	6÷8	8
11106	HCFE.24/C-1	G 1	11	24	42	31	14	15	36	8÷10	18