

SMN.BA / SMW.BA

Breather caps and double-valve breather caps with bayonet assembly

- **Cover**
Chrome-plated steel.
- **Flange and threaded connector**
Zinc-plated steel.
- **Safety double-valve (SMW.BA)**
Technopolymer with NBR synthetic rubber O-ring with stainless steel spring.
Set at around 0.350 bar (0.700 bar on request).
Fitted to the flange by means of 4 zinc-plated steel rivets.
- **Bayonet**
Zinc-plated steel.
- **Safety chain**
Brass.
- **Packing rings**
Three flat washers in cork impregnated MGS based rubber.
- **Basket with flange for bayonet attachment**
Zinc-plated steel.
- **Assembly**
By means of 6 zinc-plated steel with screwdriver slot head M5x10, supplied.
- **Air filtration**
Tech-foam 40 μ .
- **Maximum continuous working temperature**
115°C.



Special executions on request

With dipstick for fluid level indication.

Characteristics and applications

SMN.BA and SMW.BA breather caps are particularly suitable for application on tanks containing oil fluids.

Double-valve pressurised breather cap with bayonet attachment creates a pressure plenum chamber right above the oil level within the limit conditions in order to avoid any reservoir deformation.

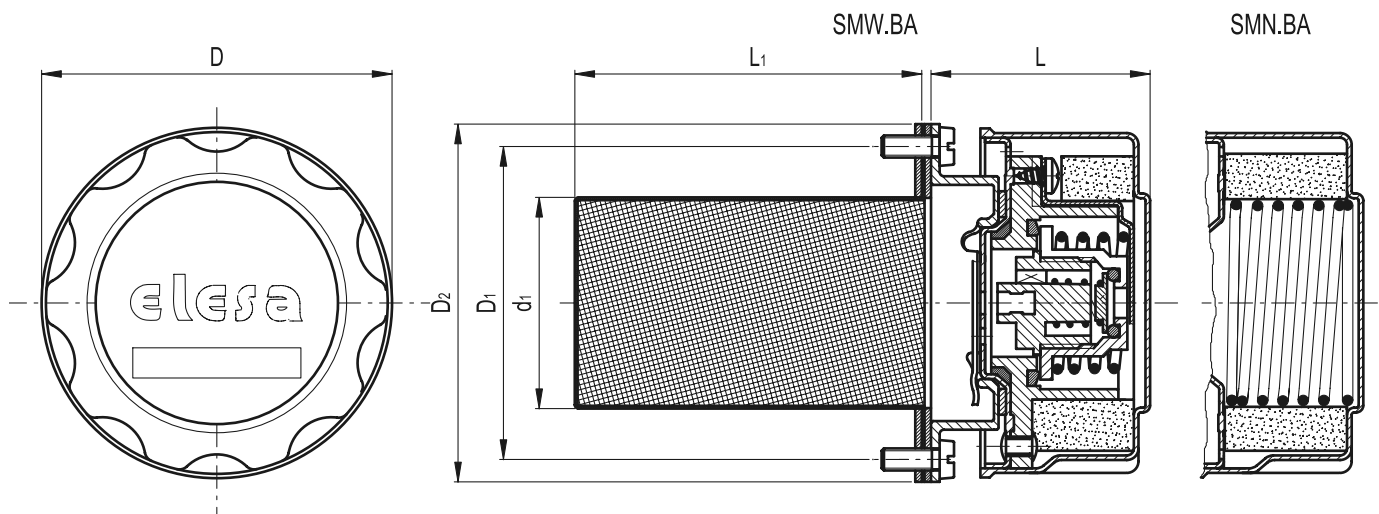
Advantages:

- it reduces reservoir air volume intake keeping clean oil and filter
- it improves suction pump action during working conditions reducing cavitation phenomenon
- it prevents fluid leakage when the system is part of a mobile unit
- it reduces foam in fluid.

15

984

Accessories for hydraulic systems



Standard Elements		Main dimensions						Δ/Δ
Code	Description	D	L	L ₁	D ₁	D ₂	d ₁	g
156836	SMN.46-BA-F40	47	42	66	40	52	27	91
156886	SMN.80-BA-F40	81	55	80	72	83	49	285

Standard Elements		Main dimensions						Δ/Δ
Code	Description	D	L	L ₁	D ₁	D ₂	d ₁	g
156986	SMW.80-BA-F40-350mb	81	55	80	72	83	49	350



elesa-ganter

ELESA and GANTER models all rights reserved in accordance with the law. Always mention the source when reproducing our drawings.

SMW. pressurised breather cap functioning in a hydraulic circuit

