

# SMN.BA / SMW.BA

## Breather caps and double-valve breather caps with bayonet assembly

- **Cover**  
Chrome-plated steel.
- **Flange and threaded connector**  
Zinc-plated steel.
- **Safety double-valve (SMW.BA)**  
Technopolymer with NBR synthetic rubber O-ring with stainless steel spring.  
Set at around 0.350 bar (0.700 bar on request).  
Fitted to the flange by means of 4 zinc-plated steel rivets.
- **Bayonet**  
Zinc-plated steel.
- **Safety chain**  
Brass.
- **Packing rings**  
Three flat washers in cork impregnated MGS based rubber.
- **Basket with flange for bayonet attachment**  
Zinc-plated steel.
- **Assembly**  
By means of 6 zinc-plated steel with screwdriver slot head M5x10, supplied.
- **Air filtration**  
Tech-foam 40 µ.
- **Maximum continuous working temperature**  
115°C.



### Special executions on request

With dipstick for fluid level indication.

### Characteristics and applications

SMN.BA and SMW.BA breather caps are particularly suitable for application on tanks containing oil fluids.

Double-valve pressurised breather cap with bayonet attachment creates a pressure plenum chamber right above the oil level within the limit conditions in order to avoid any reservoir deformation.

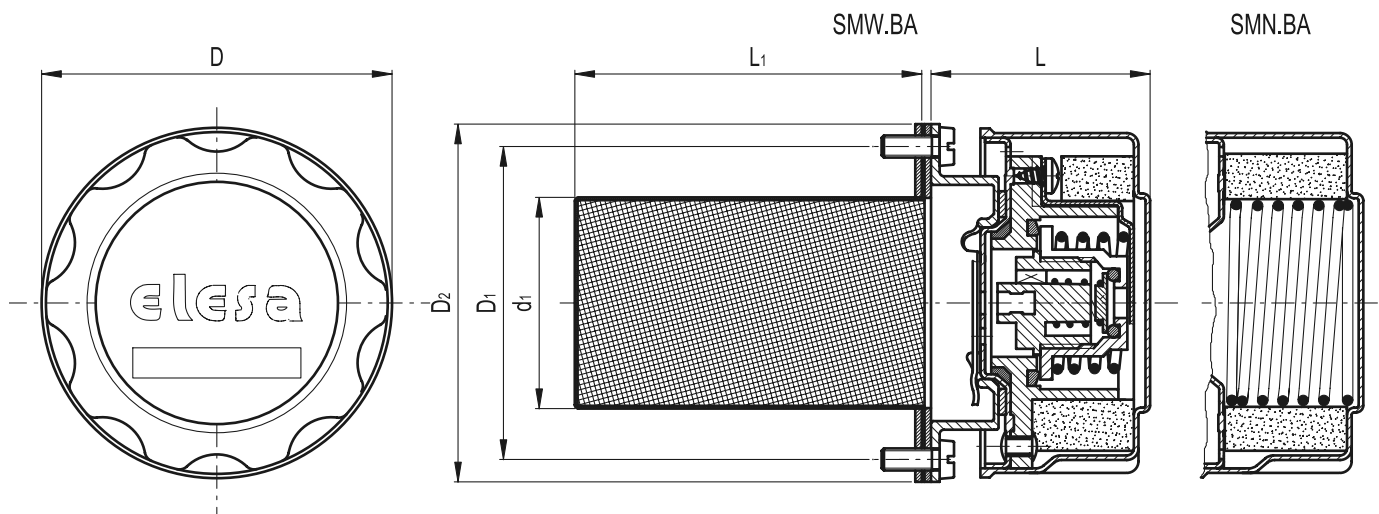
Advantages:

- it reduces reservoir air volume intake keeping clean oil and filter
- it improves suction pump action during working conditions reducing cavitation phenomenon
- it prevents fluid leakage when the system is part of a mobile unit
- it reduces foam in fluid.

15

984

Accessories for hydraulic systems



Standard Elements		Main dimensions						△△
Code	Description	D	L	L <sub>1</sub>	D <sub>1</sub>	D <sub>2</sub>	d <sub>1</sub>	g
156836	SMN.46-BA-F40	47	42	66	40	52	27	91
156886	SMN.80-BA-F40	81	55	80	72	83	49	285

Standard Elements		Main dimensions						△△
Code	Description	D	L	L <sub>1</sub>	D <sub>1</sub>	D <sub>2</sub>	d <sub>1</sub>	g
156986	SMW.80-BA-F40-350mb	81	55	80	72	83	49	350



**elesa-ganter**

ELESA and GANTER models all rights reserved in accordance with the law. Always mention the source when reproducing our drawings.

## SMW. pressurised breather cap functioning in a hydraulic circuit

