

SFV.

ELESA Original design

Valve breather caps

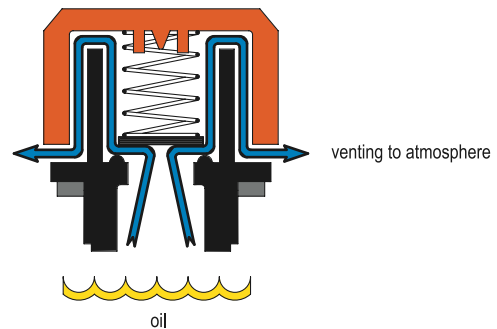
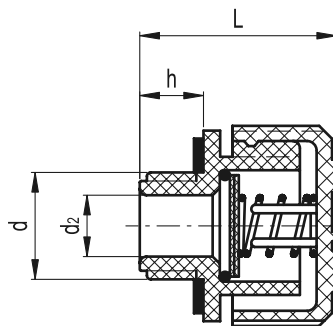
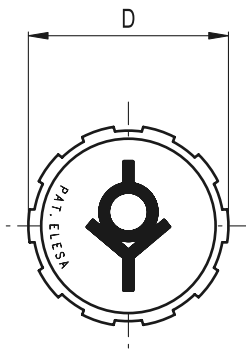


- Cover and threaded connector**
 Polyamide based (PA) technopolymer. Resistant to solvents, oils, greases and other chemical agents.
- Colour**
 - Cover: RAL 2004 orange, semi-matte finish with graphic symbol "valve".
 - Threaded connector: black, semi-matte finish.
- Flat packing ring**
 NBR synthetic rubber.
- Safety valve**
 Technopolymer sealing disk with NBR synthetic rubber O-ring and stainless steel spring.
 - SFV.10 mb: valve opens when pressure exceeds 0.010 bar.
 - SFV.100 mb: valve opens when pressure exceeds 0.100 bar.
- Maximum continuous working temperature**
 120°C.

Special executions on request (For sufficient quantities)
 Black cover.

Features and applications

SFV. valve breather caps are particularly suitable for all those applications (speed reducers, variators or compressors) when the internal air pressure must not exceed a certain value (10 or 100 mb). In these cases, the safety valve of the cap allows the expulsion of the exceeding air in the reservoir, thus re-establishing the pressure values for which the valve is set. Sealing disc prevents dust from getting in and oil-losses.



Elesa Standards			Main dimensions					△△
10 mb	100 mb	Description	d	h	D	L	d2	g
Code								
54611	54616	SFV.16x1.5*	M16x1.5	9.5	31	29.5	10	12
54621	54626	SFV.18x1.5*	M18x1.5	9.5	31	29.5	10	12
54631	54636	SFV.20x1.5*	M20x1.5	9.5	31	29.5	10	12
54641	54646	SFV.22x1.5*	M22x1.5	9.5	31	29.5	10	13
54651	54656	SFV.1/4*	G 1/4	9.5	31	29.5	8	11
54661	54666	SFV.3/8*	G 3/8	9.5	31	29.5	10	12
54671	54676	SFV.1/2*	G 1/2	9.5	31	29.5	10	12
54681	54686	SFV.3/4*	G 3/4	11.5	42	36.5	17	23
54691	54696	SFV.1*	G 1	11.5	42	36.5	17	25

* Complete the description of the standard item needed by adding the valve opening pressure.