

SFN.PF+F

ELESA Original design

Breather cap push-fit



- **Cover and threaded connector**

Polyamide based (PA) technopolymer. Resistant to solvents, oils, greases and other chemical agents.

- **Colour**

- Cover: RAL 2004 orange, semi-matte finish, marked "OIL".
- Threaded connector: black, semi-matte finish.

- **Assembly**

Push-fit on pipes with max outside diameter of 39 mm and min inside diameter of 32 mm.

- **Clip**

Black-oxide steel.

- **Ring-shaped air filter**

"Tech-foam" polyurethane foam mesh (polyester base), air filtration 40 µ.

- **Maximum continuous working temperature**

100°C.



Special executions on request (For sufficient quantities)

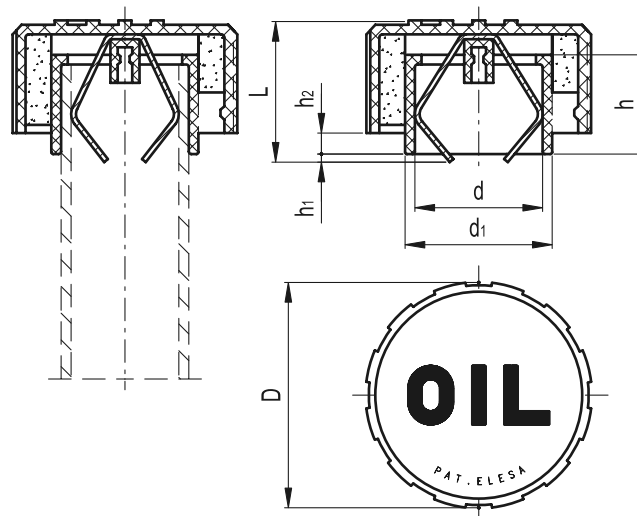
- Cover, RAL 2004 orange, without "OIL" mark.
- Black cover with or without "OIL" mark.



15

976

Accessories for hydraulic systems



Elesa Standards		Main dimensions							
Code	Description	d	h	D	L	d1	h1	h2	g
54761	SFN.70-PF+F	39.5	27.5	70	43	45.5	2.5	6.5	67



ELESA and GANTER models all rights reserved in accordance with the law. Always mention the source when reproducing our drawings.