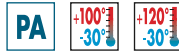


SFN.

ELESA Original design

Breather caps



• Cover and threaded connector

Polyamide based (PA) technopolymer. Resistant to solvents, oils, greases and other chemical agents.

• Colour

- Cover: RAL 2004 orange, semi-matte finish, marked "OIL".
- Threaded connector: black, semi-matte finish.

• Flat packing ring

NBR synthetic rubber.

• Standard executions available

- SFN.: without air filter.
- SFN+F: with "tech-foam" air filter in polyurethane foam mesh (polyester base), air filtration 40 µ.
- SFN.70-BA+F: with "tech-foam" air filter in polyurethane foam mesh (polyester base), air filtration 40 µ and zinc-plated steel sheet bayonet and chrome-plated steel safety chain.

• Maximum continuous working temperature

- 120°C for execution without air filter.
- 100°C for execution with "tech-foam" air filter.

Special executions on request (For sufficient quantities)

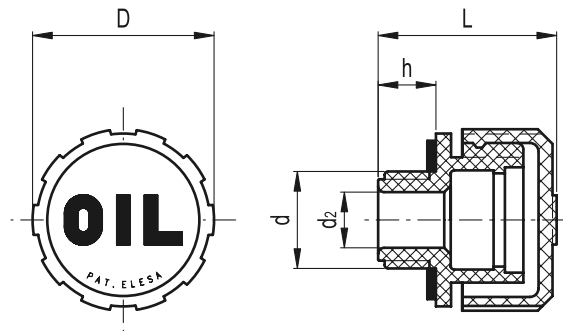
- Cover, RAL 2004 orange, without "OIL" mark.
- Black cover with or without "OIL" mark.

Features and applications

SFN. breather caps, owing to their high air flow rate, are particularly suitable for use on hydraulic power packs or tanks subject to rapid changes in liquid volume.

Technical data

Air flow rate for each model can be determined from the graph calculating the difference between the pressure inside and outside the reservoir.



SFN

15

970

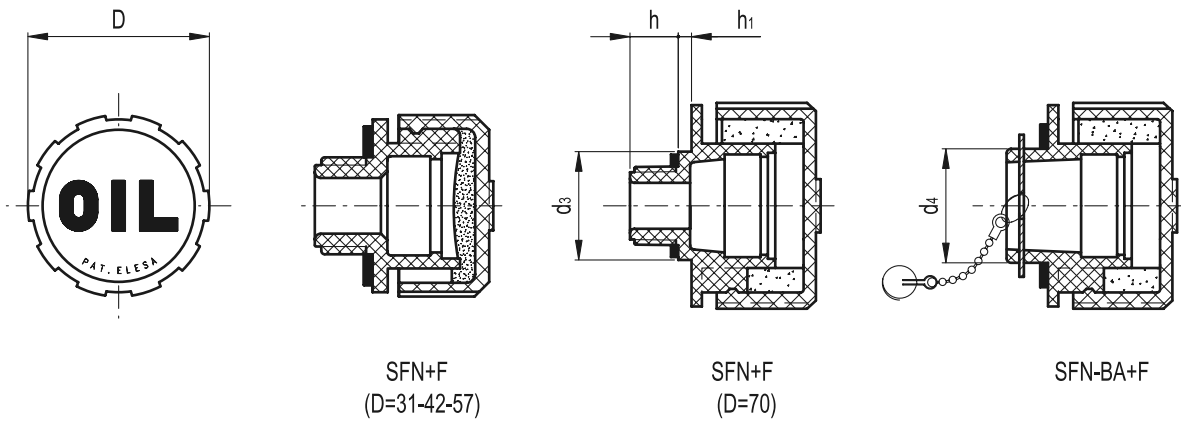
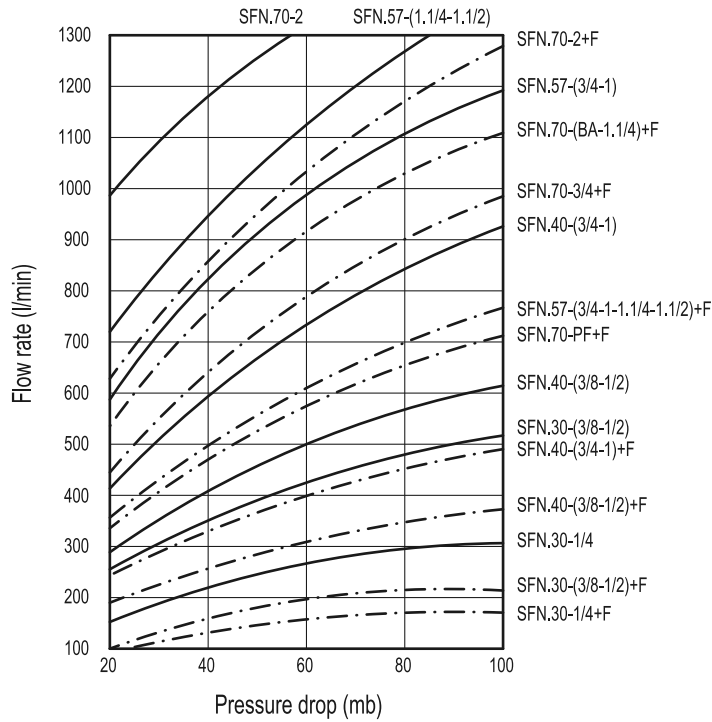
Accessories for hydraulic systems

Elesa Standards		Main dimensions					△△
Code	Description	d	h	D	L	d ₂	g
56151#	SFN.30-1/4	G 1/4	9.5	31	29.5	8	10
53901	SFN.30-3/8	G 3/8	9.5	31	29.5	10	10
53911	SFN.30-1/2	G 1/2	9.5	31	29.5	12	11
56181#	SFN.40-3/8	G 3/8	11.5	42	36.5	10	20
56201#	SFN.40-1/2	G 1/2	11.5	42	36.5	12	21
53921#	SFN.40-3/4	G 3/4	11.5	42	36.5	18	20
53931	SFN.40-1	G 1	11.5	42	36.5	18	20
56241#	SFN.57-3/4	G 3/4	14	57	42	18	38
56261	SFN.57-1	G 1	14	57	42	23	40
53932	SFN.57-1¼	G 1¼	16	57	44	28	41
53933	SFN.57-1½	G 1½	16	57	44	28	40
56381	SFN.70-2	G 2	17	70	59	23	79

Types available on request with NPT thread (National Taper pipe Thread - ANSI-ASME B1-20).



ELESA and GANTER models all rights reserved in accordance with the law. Always mention the source when reproducing our drawings.



Elesa Standards		Main dimensions								△△
Code	Description	d	h	D	L	d2	d3	d4	h1	g
56156#	SFN.30-1/4+F	G 1/4	9.5	31	29.5	8	-	-	-	10
56161	SFN.30-3/8+F	G 3/8	9.5	31	29.5	10	-	-	-	10
56171	SFN.30-1/2+F	G 1/2	9.5	31	29.5	12	-	-	-	11
56191#	SFN.40-3/8+F	G 3/8	11.5	42	36.5	10	-	-	-	19
56211#	SFN.40-1/2+F	G 1/2	11.5	42	36.5	12	-	-	-	20
56221#	SFN.40-3/4+F	G 3/4	11.5	42	36.5	18	-	-	-	20
56231	SFN.40-1+F	G 1	11.5	42	36.5	18	-	-	-	21
56251#	SFN.57-3/4+F	G 3/4	14	57	42	18	-	-	-	37
56271	SFN.57-1+F	G 1	14	57	42	23	-	-	-	38
56281	SFN.57-1¼+F	G 1¼	16	57	44	28	-	-	-	39
56291	SFN.57-1½+F	G 1½	16	57	44	28	-	-	-	40
54701#	SFN.70-3/4+F	G 3/4	15	70	63	16	35	-	6	76
54711	SFN.70-1¼+F	G 1¼	17	70	59	23	-	-	-	77
56391	SFN.70-2+F	G 2	17	70	59	23	-	-	-	82
54731	SFN.70-BA+F	-	14	70	56	23	-	39	-	85

Types available on request with NPT thread (National Taper pipe Thread - ANSI-ASME B1-20).