

PLRF+C

ELESA Original design

Side mount threaded style flange

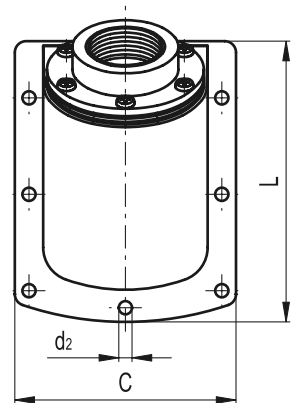
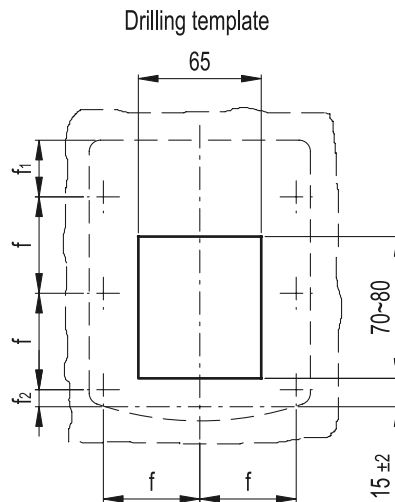
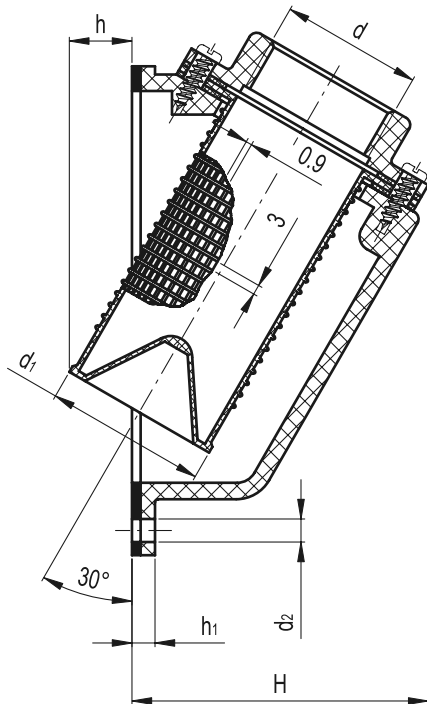


- **Mount**
Polyamide based (PA) technopolymer with NBR synthetic rubber gasket. Resistant to solvents, oils, greases and other chemical agents.
 - **Flange**
Glass-fibre reinforced polyamide based (PA) technopolymer with threaded connector. Flat gasket in cork impregnated MGS based rubber.
 - **Basket**
Polypropylene based (PP) technopolymer. Resistant to solvents, oils, greases and other chemical agents.
 - **Colour**
Black, matte finish.
 - **Assembly**
 - Flange and basket are fitted to the mount by means of six zinc-plated steel self-tapping screws TC-N10 (Ø 4.8x1.9) UNI 6951-DIN 7971, included in the supply.
 - The mount is fitted to the reservoir by means of seven M6 screws and relative washers (not included).
- Maximum recommended torque: 4 Nm.

Special executions on request (For sufficient quantities)
Side mount threaded style flange without basket (execution PLRF).

Note

The breather cap to be coupled to the flange is not included.
Breather caps type SFN. (see page 970), SFP. (see page 972), SFW. (see page 978) can be used depending on customer's requirements.



15
989

Accessories for hydraulic systems

Elesa Standards		Main dimensions											⚖
Code	Description	d	L	C	H	d1	d2	h	h1	f	f1	f2	g
49411	PLRF+C	G 1¼	148.5	117	92	49	7	18	7	51	30	9	335