

FRF+C

ELESA Original design

Threaded flange

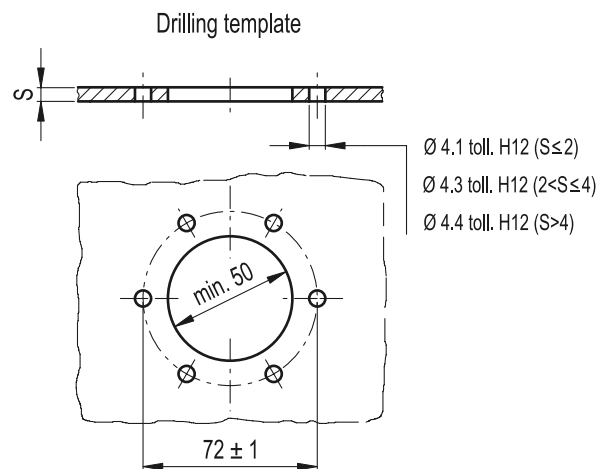
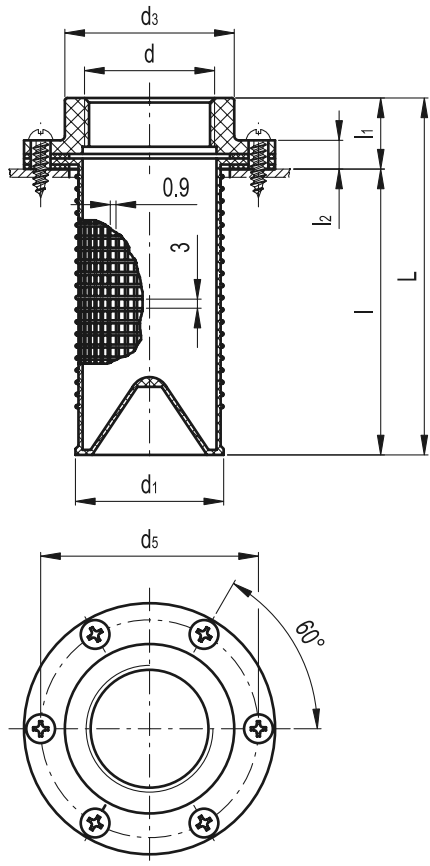


- **Flange**
Glass-fibre reinforced polyamide based (PA) technopolymer with threaded connector. Resistant to solvents, oils, greases and other chemical agents.
- **Basket**
Polypropylene based (PP) technopolymer. Resistant to solvents, oils, greases and other chemical agents.
- **Colour**
Black, matte finish.
- **Flat gaskets**
Cork impregnated MGS based rubber.
- **Assembly**
By means of six zinc-plated steel self-tapping screws TC-N10 (Ø 4.8x19) UNI 6951-DIN 7971, included in the supply.

Special executions on request (For sufficient quantities)
Threaded flange without basket (execution FRF).

Note

The breather cap to be coupled to the flange is not included.
Breather caps type SFN. (see page 970), SFP. (see page 972), SFW. (see page 978) can be used depending on the customer's requirements.



Elesa Standards		Main dimensions									⚖
Code	Description	d	L	d1	d2	d3	d5	l	l1	l2	g
9101	FRF+C	G 1 1/4	118	49	83	56	72	94.5	23.5	9	105