

# FRB+C

ELESA Original design

## Bayonet flange

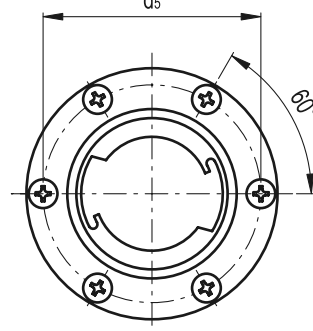
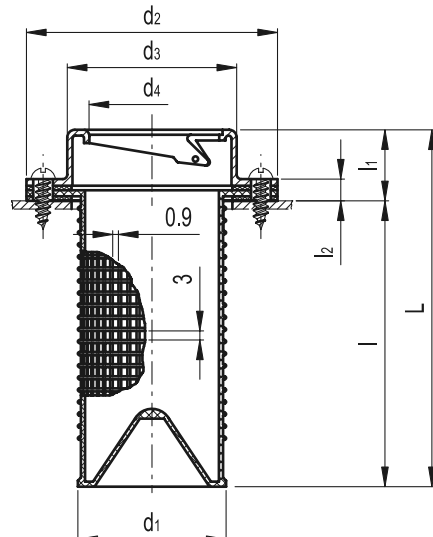


- **Flange**  
Zinc-plated steel with bayonet attachment.
- **Basket**  
Polypropylene based (PP) technopolymer, black colour. Resistant to solvents, oils, greases and other chemical agents.
- **Flat gaskets**  
Cork impregnated MGS based rubber.
- **Assembly**  
By means of six zinc-plated steel self-tapping screws TC-N10 (Ø 4.8x19) UNI 6951-DIN 7971, included in the supply.

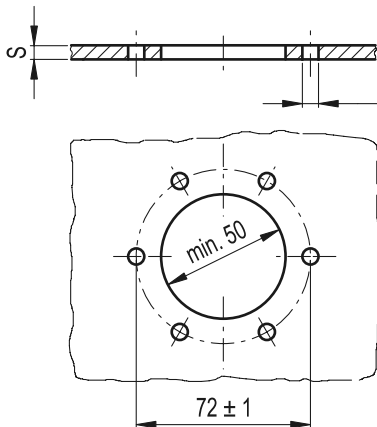
**Special executions on request** (For sufficient quantities)  
Bayonet flange without basket (execution FRB).

### Note

The breather cap to be coupled to the flange is not included.  
Breather caps type SFN. (see page 970), SFP. (see page 972), SFW. (see page 978) can be used depending on the customer's requirements.



Drilling template



- Ø 4.1 toll. H12 (S≤2)
- Ø 4.3 toll. H12 (2<S≤4)
- Ø 4.4 toll. H12 (S>4)

15

986

Accessories for hydraulic systems

Elesa Standards		Main dimensions									
Code	Description	d4	L	d1	d2	d3	d5	l	l1	l2	g
9201	FRB+C	39	114.5	49	83	58	72	94.5	20	7	125



ELESA and GANTER models all rights reserved in accordance with the law. Always mention the source when reproducing our drawings.