

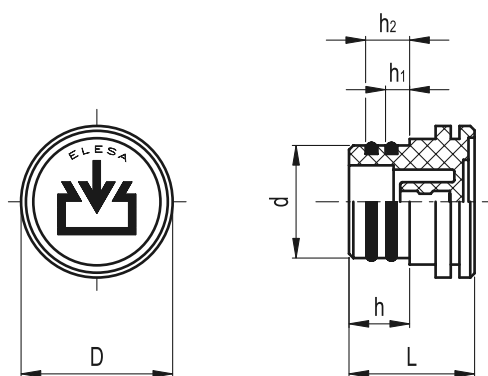
# TPC. TPCF.

ELESA Original design

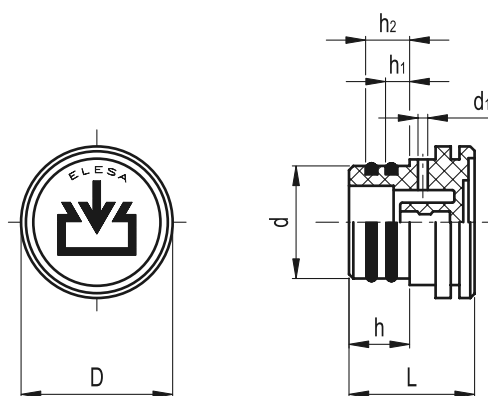
## Oil fill plugs push-fit



- **Material**  
High-resilience polypropylene based (PP) technopolymer. Resistant to solvents, oils, greases and other chemical agents.  
- TPC.: without side hole.  
- TPCF.: Ø 2 mm side breather hole.
- **Colour**  
Black, matte finish.
- **Packing rings**  
Two NBR synthetic rubber O-rings.
- **Maximum continuous working temperature**  
100°C.
- **Graphic symbol "fill"**  
According to DIN regulations.



TPC



TPCF

Elesa Standards		Main dimensions						$\Delta/\Delta$
Code	Description	d +0.2	h	D	L	h1	h2	g
59861	TPC.20	20	14	30	29	6.5	10.5	8
59881	TPC.26	26	14	35	29.5	6.5	10.5	15

Elesa Standards		Main dimensions							$\Delta/\Delta$
Code	Description	d +0.2	h	D	L	h1	h2	d1	g
59901	TPCF.20	20	14	30	29	6.5	10.5	2	8
59921	TPCF.26	26	14	35	29.5	6.5	10.5	2	15