

# TPC+a      TPCF+a

ELESA Original design

## Oil fill plugs with dipstick push-fit



- **Material**

High-resilience polypropylene based (PP) technopolymer. Resistant to solvents, oils, greases and other chemical agents.

- TPC+a: without side hole.
- TPCF+a: Ø 2 mm side breather hole.

- **Colour**

Black, matte finish.

- **Packing rings**

Two NBR synthetic rubber O-rings.

- **Flat dipstick**

Phosphatised steel. On request and for sufficient quantities dipstick can be supplied in different lengths and/or complete with MAX-MIN level lines.

- **Maximum continuous working temperature**

100°C.

- **Graphic symbol "fill"**

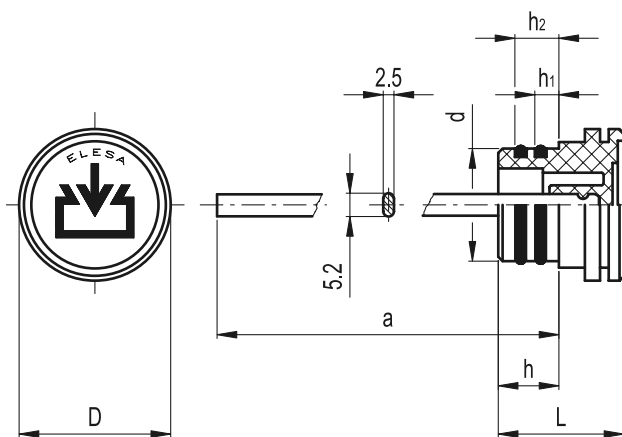
According to DIN regulations.



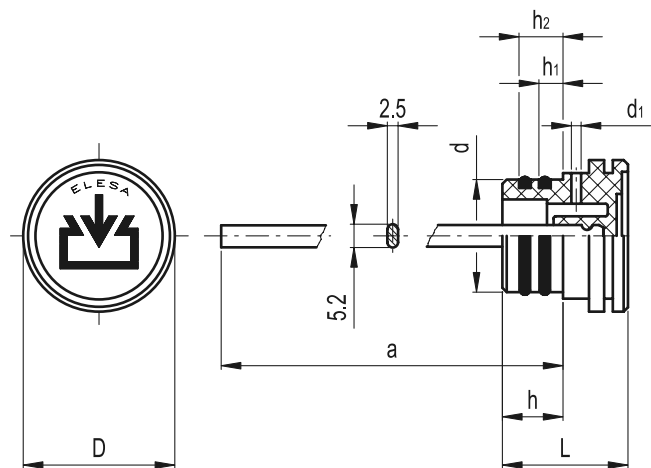
15

964

Accessories for hydraulic systems



TPC+a



TPCF+a

Elesa Standards		Main dimensions							$\Delta/\Delta$
Code	Description	d +0.2	h	D	L	h1	h2	a	g
59865	TPC.20+a	20	14	30	29	6.5	10.5	188	27
59885	TPC.26+a	26	14	35	29.5	6.5	10.5	188	35

Elesa Standards		Main dimensions							$\Delta/\Delta$	
Code	Description	d +0.2	h	D	L	h1	h2	d1	a	g
59905	TPCF.20+a	20	14	30	29	6.5	10.5	2	188	27
59925	TPCF.26+a	26	14	35	29.5	6.5	10.5	2	188	35



ELESA and GANTER models all rights reserved in accordance with the law. Always mention the source when reproducing our drawings.