

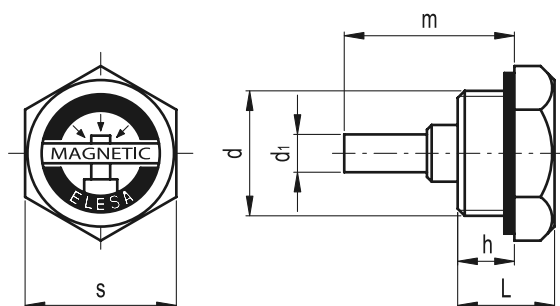
## Magnetic plugs



- **Material**  
Aluminium.
- **Plate**  
Matte anodised aluminium marked "MAGNETIC" and graphic symbol.
- **Flat packing ring**  
NBR synthetic rubber.
- **Permanent magnetic element**  
Special alloy with a high attractive power, to keep metal particles in oil.
- **Maximum continuous working temperature**  
130°C.

### Technical data

An adequate tightening torque (see table below) is recommended when screwing the plug, so as to guarantee optimal tightness without any deformation of the packing ring. Suggested tightening torque is the result of laboratory tests carried out at ambient temperature (23°C) with plug, packing ring and reservoir walls perfectly cleaned.



| Elesa Standards |             | Main dimensions |    |    |      |    |      | Tightening torque | $\Delta$ |
|-----------------|-------------|-----------------|----|----|------|----|------|-------------------|----------|
| Code            | Description | d               | h  | s  | L    | di | m    | [Nm]              | g        |
| 59791           | TMA.1/4     | G 1/4           | 9  | 19 | 15.5 | 6  | 30   | 8÷10              | 15       |
| 59801           | TMA.3/8     | G 3/8           | 9  | 22 | 15.5 | 8  | 30.5 | 8÷10              | 22       |
| 59811           | TMA.1/2     | G 1/2           | 11 | 26 | 18   | 8  | 34   | 10÷15             | 30       |
| 59821           | TMA.3/4     | G 3/4           | 12 | 32 | 20   | 8  | 36   | 10÷15             | 44       |

ELESA Original design

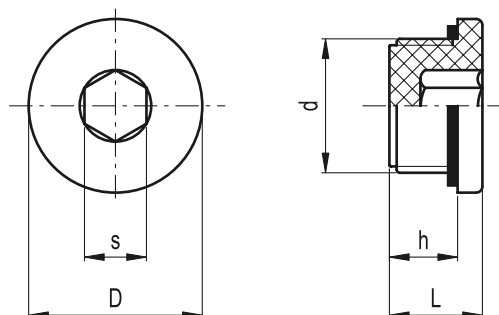
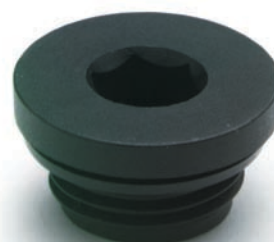
## Plugs with hexagon socket



- **Material**  
Glass-fibre reinforced polyamide based (PA) technopolymer. Resistant to solvents, oils, greases and other chemical agents.
- **Colour**  
Black, matte finish.
- **Flat packing ring**  
NBR synthetic rubber.
- **Maximum continuous working temperature**  
130°C.

### Technical data

An adequate tightening torque (see table below) is recommended when screwing the plug, so as to guarantee optimal tightness without any deformation of the packing ring. Suggested tightening torque is the result of laboratory tests carried out at ambient temperature (23°C) with plug, packing ring and reservoir walls perfectly cleaned.



| Elesa Standards |             | Main dimensions |    |    |      |    | Tightening torque | $\Delta$ |
|-----------------|-------------|-----------------|----|----|------|----|-------------------|----------|
| Code            | Description | d               | h  | s  | L    | D  | [Nm]              | g        |
| 161033          | TCE.1/4     | G 1/4           | 9  | 6  | 12   | 20 | 3                 | 4        |
| 161034          | TCE.3/8     | G 3/8           | 9  | 8  | 13   | 22 | 3÷5               | 5        |
| 161035          | TCE.1/2     | G 1/2           | 11 | 10 | 15   | 28 | 3÷4               | 8        |
| 161036          | TCE.3/4     | G 3/4           | 12 | 12 | 16.5 | 32 | 3÷5               | 14       |