

T.470

ELESA Original design

Plugs



- **Material**
Polyamide based (PA) technopolymer. Resistant to solvents, oils, greases and other chemical agents.
- **Colour**
Black, matte finish.
- **Flat packing ring**
NBR synthetic rubber.
- **Maximum continuous working temperature**
110°C.

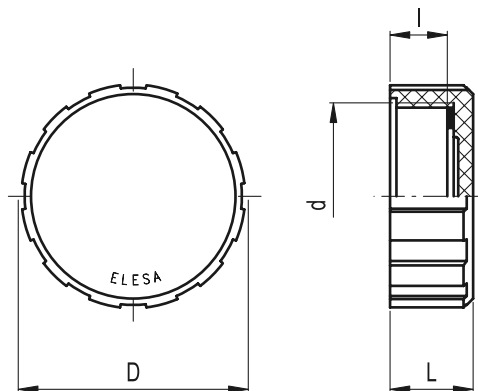
Special executions on request (For sufficient quantities)
Coloured words, marks and graphic symbols can be tampprinted on the cap.



15

966

Accessories for hydraulic systems



Elesa Standards		Main dimensions				⚖
Code	Description	d	l	D	L	g
58231	T.470-60x2	M60x2	18	70	26	55
58251	T.470-1	G 1	11	42	16	17
58281	T.470-2	G 2	18	70	26	58



elesa+GANTER

ELESA and GANTER models all rights reserved in accordance with the law. Always mention the source when reproducing our drawings.