

# T.440

ELESA Original design

## Plugs



- **Material**

Polyamide based (PA) technopolymer. Resistant to solvents, oils, greases and other chemical agents.

- **Colour**

Black, matte finish.

- **Flat packing ring**

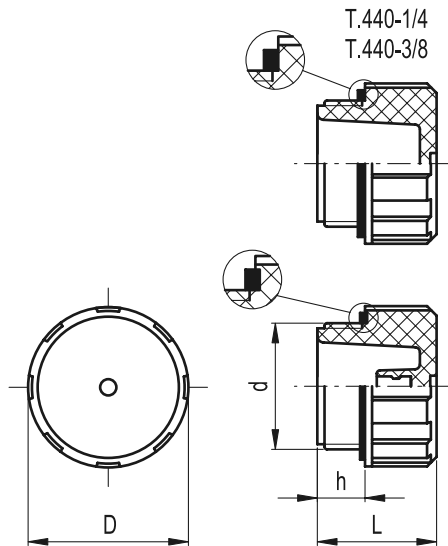
NBR synthetic rubber.

- **Maximum continuous working temperature**

120°C.

**Special executions on request** (For sufficient quantities)

Coloured words, marks and graphic symbols can be tampprinted on the cap.



Elesa Standards		Main dimensions				⚖
Code	Description	d	h	D	L	g
157111	T.440-1/4	G 1/4	9	20.5	19	10
157121	T.440-3/8	G 3/8	9	25	21	12
157131	T.440-1/2	G 1/2	11	28.5	25	14
157141	T.440-3/4	G 3/4	12	34.5	27	22
157151	T.440-1	G 1	13	42.5	28.5	28
157161	T.440-1¼	G 1¼	13	52	32	52
157171	T.440-1½	G 1½	13	57.5	34	63

# T.440+a

ELESA Original design

## Plugs with dipstick



- **Material**

Polyamide based (PA) technopolymer. Resistant to solvents, oils, greases and other chemical agents.

- **Colour**

Black, matte finish.

- **Flat packing ring**

NBR synthetic rubber.

- **Flat dipstick**

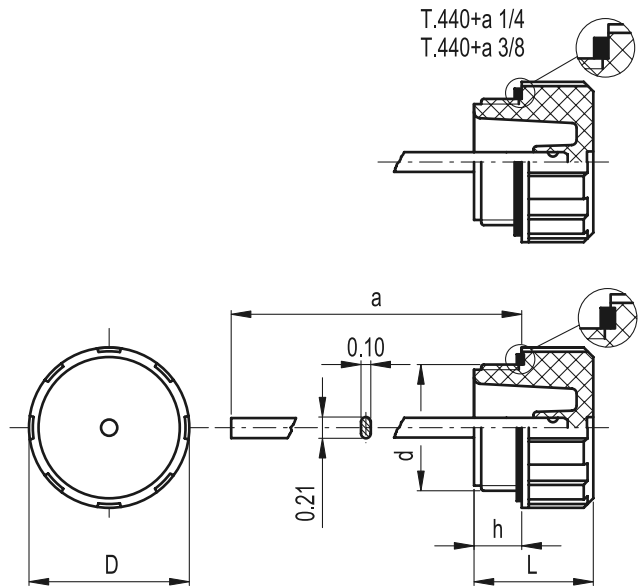
Phosphatised steel. On request and for sufficient quantities dipstick can be supplied in different lengths and/or complete with MAX-MIN level lines.

- **Maximum continuous working temperature**

120°C.

**Special executions on request** (For sufficient quantities)

Coloured words, marks and graphic symbols can be tampprinted on the cap.



Elesa Standards		Main dimensions					⚖
Code	Description	d	h	D	L	a	g
157211	T.440-1/4+a	G 1/4	9	20.5	19	192	30
157221	T.440-3/8+a	G 3/8	9	25	21	192	32
157231	T.440-1/2+a	G 1/2	11	28.5	25	189	42
157241	T.440-3/4+a	G 3/4	12	34.5	27	188	50
157251	T.440-1+a	G 1	13	42.5	28.5	188	56
157261	T.440-1¼+a	G 1¼	13	52	32	185	72
157271	T.440-1½+a	G 1½	13	57.5	34	185	83