

GN 896.1 GN 896.2 GN 896.3

Proximity switch with mounting brackets



Technical data

Information IEC 529 DIN VDE 0470-1

Electric cable 2 wires.

If it is used on DC brown wire must be connected to + for the diode to work.

Features and applications

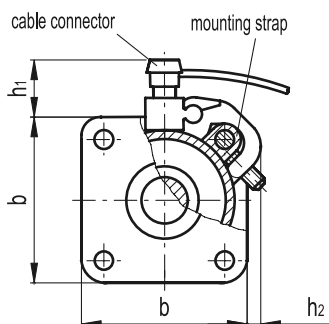
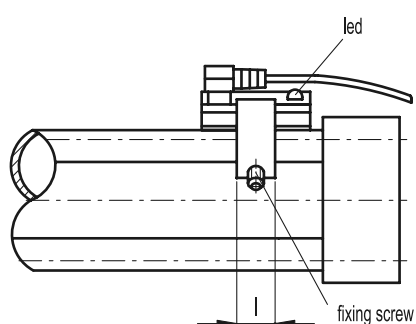
With GN 896.1, GN 896.2 and GN 896.3 proximity switches, the pneumatically operated clamps can emit control signals. To do this the clamp must be fitted with a special cylinder with magnetic piston which will create the electric contacts in the REED switch to close.

The pneumatically operated clamps listed in the table below are all available with this type of cylinder (type M).

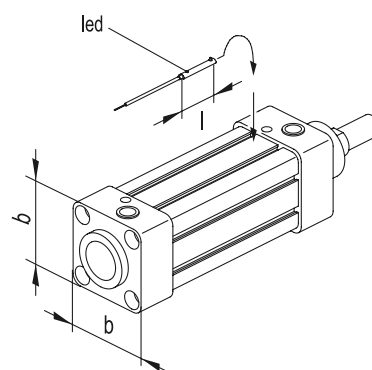
The proximity switches with mounting brackets can be set anywhere along the full stroke length of the cylinder.



GN 896.1 / GN 896.2

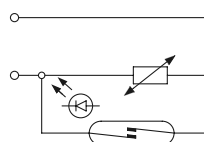


GN 896.3



| Specifications | GN 896.1 | GN 896.2 | GN 896.3 |
|---------------------------|------------------------------|------------------------------|------------------------------|
| Voltage range | 3÷110 V AC/DC | 3÷110 V AC/DC | 10÷110 V AC/DC |
| Current on contact | 0.3 A | 0.3 A | 0.25 A |
| Switch capacity (ind.) | 10 VA | 10 VA | 10 VA |
| Voltage drop LED | 3 V | 3 V | 3 V |
| Temperature range | -20°C÷+85°C | -20°C÷+85°C | -20°C÷+85°C |
| Slew rate | 0.6 ms | 0.6 ms | 0.5 ms |
| Life expectancy | (operations) 10 ⁷ | (operations) 10 ⁷ | (operations) 10 ⁷ |
| Protection classification | IP 67 | IP 67 | IP 67 |

Electric diagram



| Standard Elements | | Main dimensions | | | | ⚖ |
|-------------------------------|------------------|-----------------|-----|-----|----|----|
| Pneumatically operated clamps | Proximity switch | b | h1~ | h2~ | l | g |
| GN 860-200-AP3-M | GN 896.2 | 44 | 24 | 10 | 14 | 85 |
| GN 860-200-EP3-M | GN 896.2 | 44 | 24 | 10 | 14 | 85 |
| GN 860-300-AP3-M | GN 896.2 | 50 | 27 | 11 | 14 | 85 |
| GN 860-300-EP3-M | GN 896.2 | 50 | 27 | 11 | 14 | 85 |
| GN 860-400-AP3-M | GN 896.1 | 62 | 25 | 9 | 14 | 90 |
| GN 860-400-EP3-M | GN 896.1 | 62 | 25 | 9 | 14 | 90 |
| GN 861-1000-EP-M | GN 896.3 | 65 | - | - | 35 | 40 |
| GN 861-2000-EP-M | GN 896.3 | 75 | - | - | 35 | 40 |
| GN 862-200-APV3-M | GN 896.2 | 44 | 25 | 10 | 14 | 85 |
| GN 862-200-EPV3-M | GN 896.2 | 44 | 25 | 10 | 14 | 85 |
| GN 862-300-APV3-M | GN 896.2 | 50 | 26 | 11 | 14 | 85 |
| GN 862-300-EPV3-M | GN 896.2 | 50 | 26 | 11 | 14 | 85 |
| GN 863-1000-EPV-M | GN 896.3 | 65 | - | - | 35 | 40 |
| GN 863-2000-EPV-M | GN 896.3 | 75 | - | - | 35 | 40 |
| GN 890-360-SP3-M | GN 896.2 | 44 | 28 | 13 | 14 | 85 |
| GN 890-1100-SP3-M | GN 896.2 | 50 | 27 | 11 | 14 | 85 |
| GN 890-2100-SP3-M | GN 896.1 | 62 | 23 | 10 | 14 | 90 |