

# GN 890

## Pneumatically operated plunger clamps for push-pull applications

- **Body**
  - Execution **SP3**: black-oxide forged steel.
  - Execution **SP3-M**: black-oxide forged steel with magnetic piston.
- **Metal parts**  
Zinc-plated case-hardened steel C10, blue passivated.
- **Plunger**  
Zinc-plated steel, blue passivated.
- **Bearing bush**  
Case-hardened steel.
- **Double acting cylinder**  
Maximum operating pressure 6 bar.



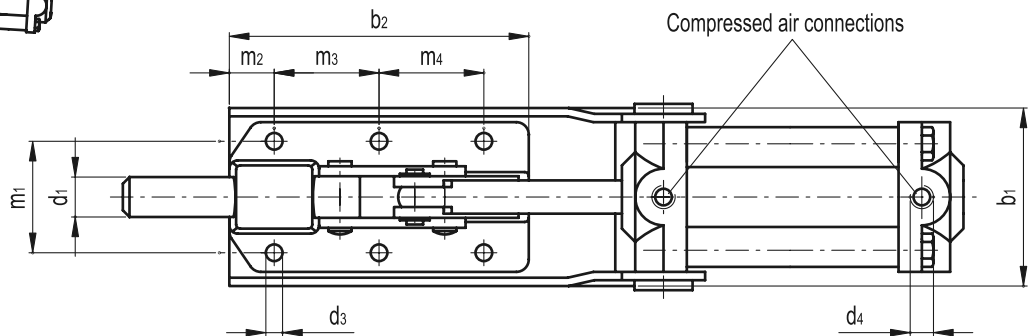
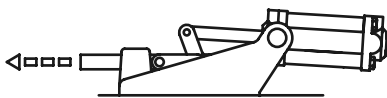
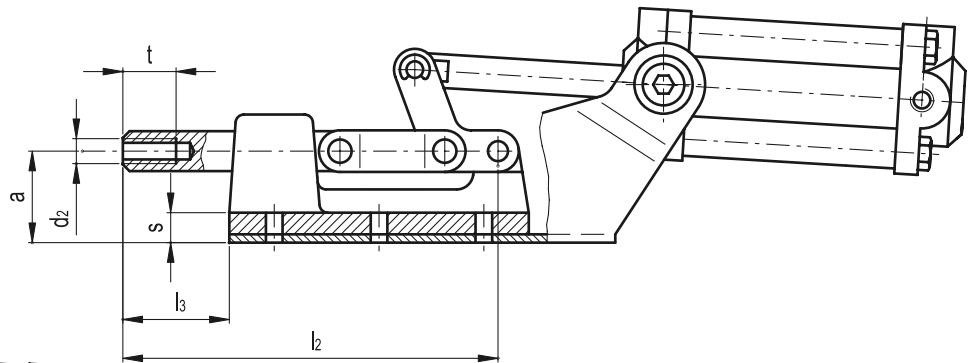
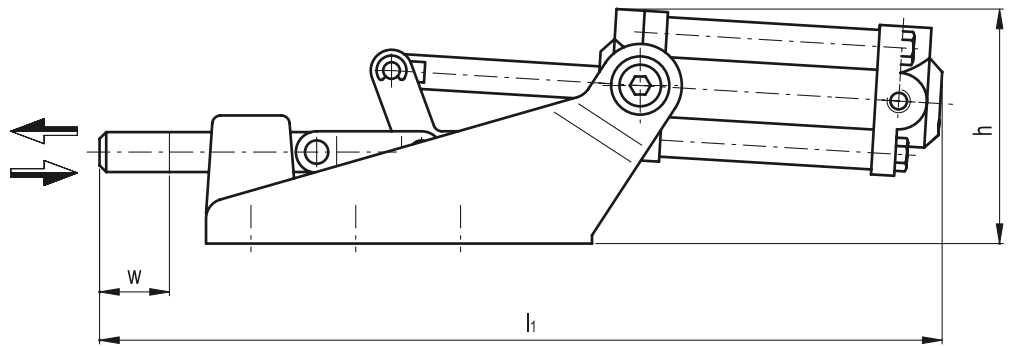
### Features and applications

GN 890 execution M (with magnetic piston) together with proximity switches GN 896.1 and GN 896.2 can be sensed and the generated impulse can be used in sequence control systems. For further details see GN 896.1 and GN 896.2 (see page 923).

The working principle of the pneumatically operated plunger clamp GN 890 is identical in construction and dimensions to the manual plunger clamp GN 842.

To ensure an extended life of the mechanical parts as well as air cylinder the operating pressure should not exceed 6 bar. In addition a lubro control unit should be fitted in the air line.

The sturdy mounting frame for the cylinder has been designed to avoid the trunions of the cylinder to protrude over the frame.



Standard Elements	Main dimensions																	Stroke	Female thread for hose	Holding force	Clamping force at 4 bar~	△
	a	b1	b2	d1	d2	d3	d4	h	l1	l2	l3	m1	m2	m3	m4	s~	t					
GN 890-70-SP3	14	42	64	8.5	M6	4.3	G1/8	52	172	78.5	20	26	13.5	26	-	8.5	12	12	4	1200	500	555
GN 890-360-SP3	27.5	53	90	12	M8	5.5	G1/8	70	260	113	32	33.5	30	36.5	-	8.5	16	21	4	5600	3100	1285
GN 890-360-SP3-M	27.5	53	90	12	M8	5.5	G1/8	70	260	113	32	33.5	30	36.5	-	8.5	16	21	4	5600	3100	1260
GN 890-1100-SP3	28	67	133	16	M10	8.5	G1/4	88	356	171	50	41	15	35	41	9	18	31	6	16000	4100	2245
GN 890-1100-SP3-M	28	67	133	16	M10	8.5	G1/4	88	356	171	50	41	15	35	41	9	18	31	6	16000	4100	2440
GN 890-2100-SP3	38.5	81	177	20	M12	8.5	G1/4	100	460	222	62	50	35	50	50	13	22	45	8	25000	6000	4830
GN 890-2100-SP3-M	38.5	81	177	20	M12	8.5	G1/4	100	460	222	62	50	35	50	50	13	22	45	8	25000	6000	4800



**ELESA-GANTER**

ELESA and GANTER models all rights reserved in accordance with the law. Always mention the source when reproducing our drawings.