

# GN 863

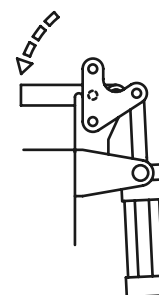
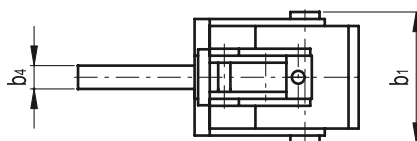
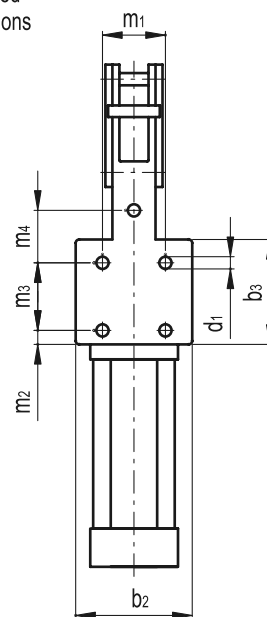
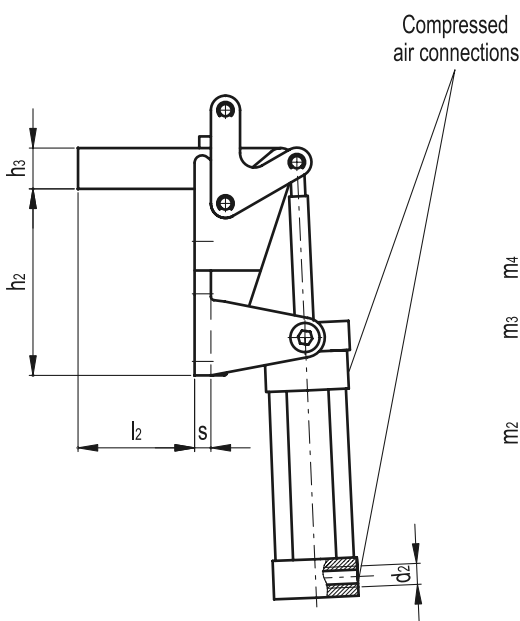
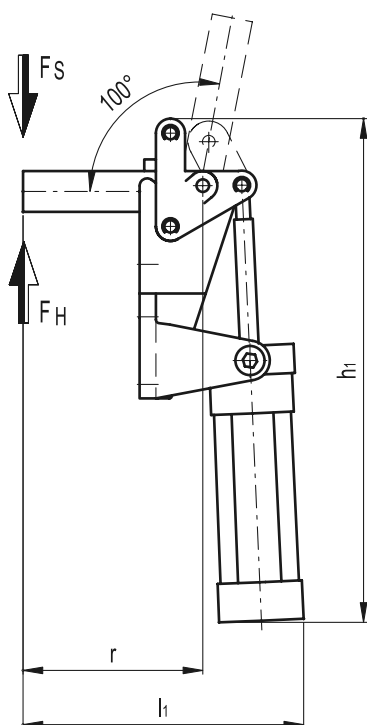
## Pneumatically operated clamps Heavy duty type



- **Body**  
Black-oxide die-cast steel.
- **Metal parts**  
Zinc-plated weldable steel, blue passivated.
- **Bearing pins**  
Case-hardened steel.
- **Double acting cylinder**  
With adjustable cushioning, maximum operating pressure 6 bar.

### Features and applications

All the moving parts are lubricated with special grease. GN 863 pneumatically operated clamps have been designed to make them easily disassembled. The bearing pins are axially fixed with circlips. This allows the clamping arm to be modified once it is dismantled in order to suit any particular application. To ensure an extended life to the mechanical parts as well as their air cylinders, the operating pressure should not exceed 6 bar. In addition a lubro control unit should be fitted in the air line. GN 863 (with magnetic piston) together with proximity switch GN 896.3 can be sensed and the generated signal leads to an electrical impulse. For further details see GN 896.3 (see page 923).



14

915

Toggle, power and hook clamps

Standard Elements	Main dimensions																Female thread	Holding force	Clamping force at 4 bar~	⚖	
Description	b1~	b2	b3	b4	d1	d2	h1	h2	h3	l1	l2	m1	m2	m3	m4	r	s~	Ø	FH [N]	FS [N]	g
GN 863-1000-EPV-M	102	90	80	20	10.5	G1/4	355	130	25	215	80	50	13	50	-	140	13	8	10000	3400	6500
GN 863-2000-EPV-M	112	100	90	20	13	G3/8	425	160	35	245	100	54	12	58	45	172	14	10	20000	4320	9000