

GN 862

Pneumatically operated clamps with heavy mounting bracket

• Metal parts

Zinc-plated case-hardened steel C10, blue passivated.

- Execution **EPV3**: with solid clamping arm.

- Execution **APV3**: with forked clamping arm.

Both executions are available with magnetic piston (EPV3-M or APV3-M).

• Bearing pins

Hardened and tempered steel.

• Bearing bushes

Case-hardened steel.

• Bearing pins for cylinder

Case-hardened steel.

• Double acting cylinder

With adjustable cushioning, maximum operating pressure 6 bar.

Features and applications

All the moving parts are lubricated with special grease. GN 862 pneumatically operated clamps have been designed to make them mounted in two different planes. To ensure an extended life to the mechanical parts as well as their air cylinders, the operating pressure should not exceed 6 bar. In addition a lubro control unit should be fitted in the air line.

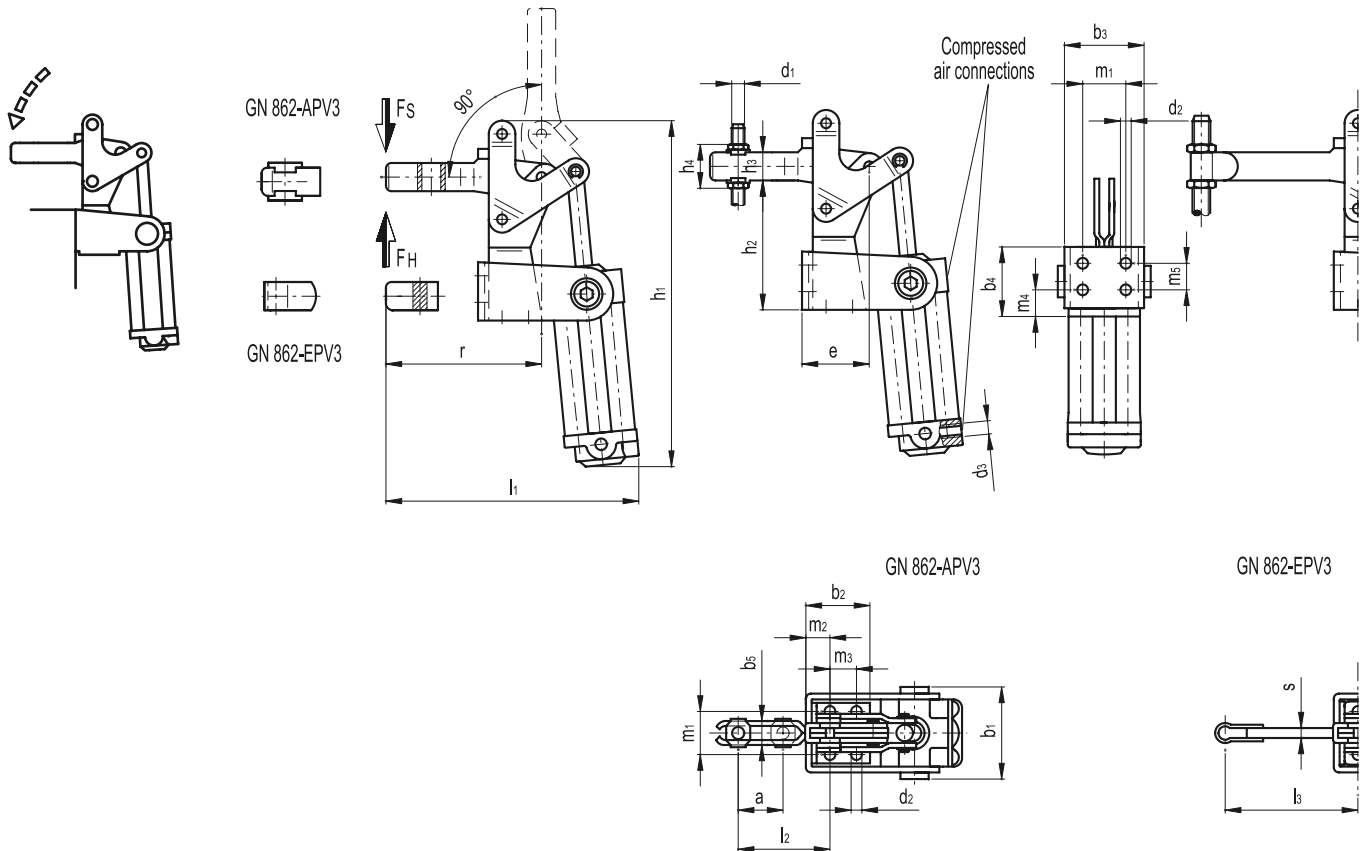
GN 862 execution M (with magnetic piston) together with proximity switch GN 896.2 can be sensed and the generated signal leads to an electrical impulse. For further details see GN 896.2 (see page 923).



14

914

Toggle, power and hook clamps



Standard Elements	Main dimensions																							Female thread	Holding force	Clamping force at 4 bar~	△	
Description	a~	b1	b2	b3	b4	b5	d1	d2	d3	e	h1	h2	h3	h4~	l1	l2	l3 max	m1	m2	m3	m4	m5	r	s	Ø	FH [N]	FS [N]	g
GN 862-200-APV3	34	61	38.5	52	35	8.5	M8	6.5	G1/8	40.5	210	78	17	35	150	59	-	26	14.5	16	11	16	96	-	4	2200	900	1147
GN 862-200-APV3-M	34	61	38.5	52	35	8.5	M8	6.5	G1/8	40.5	210	78	17	35	150	59	-	26	14.5	16	11	16	96	-	4	2200	900	1100
GN 862-300-APV3	42	68	53	60	51	10.3	M10	8.5	G1/4	51	258	108	20	41	188	74	-	30	16.5	28	13	30	121	-	6	2700	1200	2020
GN 862-300-APV3-M	42	68	53	60	51	10.3	M10	8.5	G1/4	51	258	108	20	41	188	74	-	30	16.5	28	13	30	121	-	6	2700	1200	2015
GN 862-200-EPV3	-	61	38.5	52	35	-	M8	6.5	G1/8	40.5	210	78	17	35	150	-	80	26	14.5	16	11	16	96	6	4	2200	900	1155
GN 862-200-EPV3-M	-	61	38.5	52	35	-	M8	6.5	G1/8	40.5	210	78	17	35	150	-	80	26	14.5	16	11	16	96	6	4	2200	900	1100
GN 862-300-EPV3	-	68	53	60	51	-	M10	8.5	G1/4	51	258	108	20	41	188	-	104	30	16.5	28	13	30	121	8	6	2700	1200	2025
GN 862-300-EPV3-M	-	68	53	60	51	-	M10	8.5	G1/4	51	258	108	20	41	188	-	104	30	16.5	28	13	30	121	8	6	2700	1200	2030



ELESA-GANTER

ELESA and GANTER models all rights reserved in accordance with the law. Always mention the source when reproducing our drawings.