

GN 861

Pneumatically operated clamps Heavy duty type

• Body

Black-oxide die-cast steel.

- Execution **EP**: with solid clamping arm.

- Execution **EP-M**: with solid clamping arm and magnetic piston.

• Metal parts

Zinc-plated weldable steel, blue passivated.

• Bearing pins

Case-hardened steel.

• Double acting cylinder

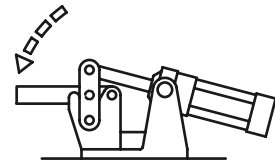
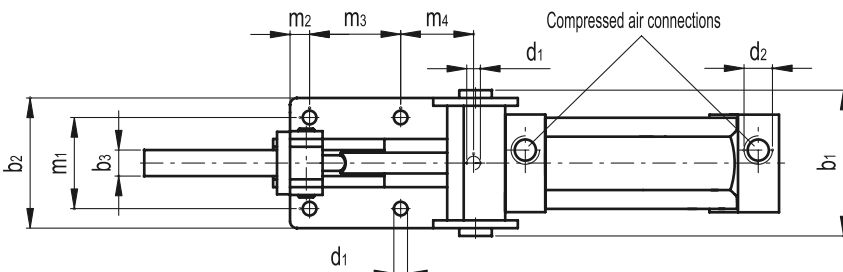
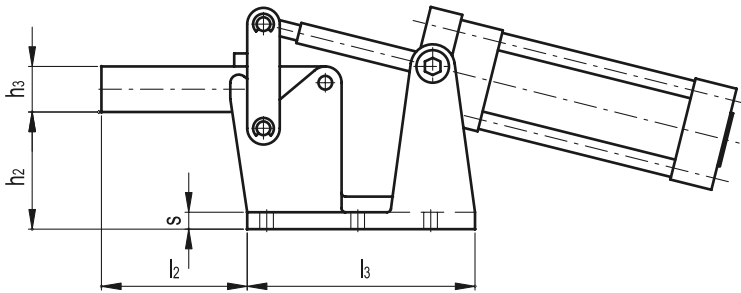
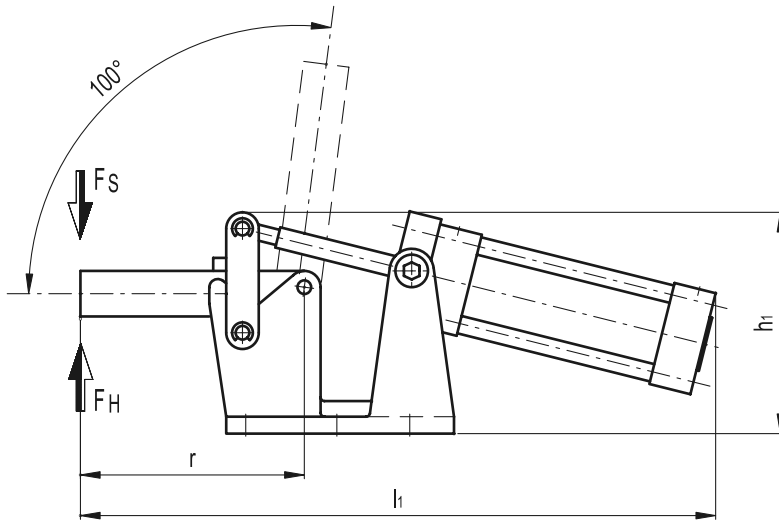
With adjustable cushioning, maximum operating pressure 6 bar.

Features and applications

All the moving parts are lubricated with special grease. GN 861 pneumatically operated clamps have been designed to make them easily disassembled. The bearing pins are axially fixed with circlips. This allows the clamping arm to

be modified in order to suit any particular application. To ensure an extended life to the mechanical parts as well as their air cylinders, the operating pressure should not exceed 6 bar. In addition a lubro control unit should be fitted in the air line.

GN 861 execution M (with magnetic piston) together with proximity switch GN 896.3 can be sensed and the generated signal leads to an electrical impulse. For further details see GN 896.3 (see page 923).



14

913

Toggle, power and hook clamps

Standard Elements	Main dimensions																Female thread	Holding force	Clamping force at 4 bar~	⚖	
Description	b1~	b2	b3	d1	d2	h1	h2	h3	l1	l2	l3	m1	m2	m3	m4	r	s~	Ø	FH [N]	FS [N]	g
GN 861-1000-EP	102	90	20	10.5	G1/4	145	80	25	410	94	157	65	12.5	65	48	140	13	8	10000	3200	6500
GN 861-1000-EP-M	102	90	20	10.5	G1/4	145	80	25	410	94	157	65	12.5	65	48	140	13	8	10000	3200	6500
GN 861-2000-EP	112	100	20	10.5	G3/8	170	90	35	490	112	175	70	15	70	56	172	13	10	20000	3800	9500
GN 861-2000-EP-M	112	100	20	10.5	G3/8	170	90	35	490	112	175	70	15	70	56	172	13	10	20000	3800	9500