

# GN 860

## Pneumatically operated clamps

### • Metal parts

Zinc-plated case-hardened steel C10, blue passivated.

- Execution **EP3**: with solid clamping arm.

- Execution **AP3**: with forked clamping arm.

Both executions are available also with magnetic piston (EP3-M or AP3-M).

### • Bearing pins

Hardened and tempered steel.

### • Bearing bushes

Case-hardened steel.

### • Bearing pins for cylinders

Case-hardened steel.

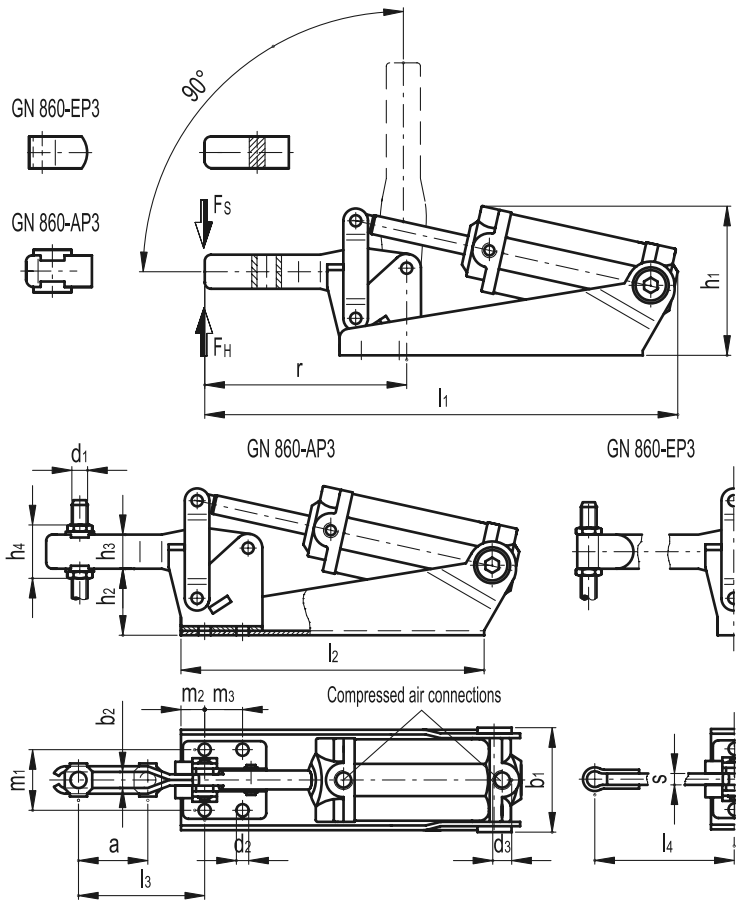
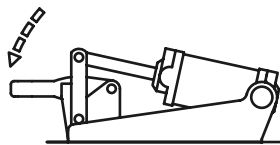
### • Double acting cylinders

Maximum operating pressure 6 bar.

### Features and applications

All the moving parts are lubricated with special grease. The clamping principles of GN 860 pneumatically operated clamps is identical in construction and dimension to the GN 810 (see page 889) manually operated vertical clamps. To ensure an extended life to the mechanical parts as well as their air cylinders, the operating pressure should not exceed 6 bar. In addition a lubro control unit should be fitted in the air line.

GN 860 execution M (with magnetic piston) together with proximity switches GN 896.1 and GN 896.2 can be sensed and the generated signal leads to an electrical impulse. For further details see GN 896.1 and GN 896.2 (see page 923).



Standard Elements	Main dimensions																			Female thread	Holding force	Clamping force at 4 bar~	⚖
Description	a~	b1	b2	d1	d2	d3	h1	h2	h3	h4~	l1	l2	l3	l4 max	m1	m2	m3	r	s	Ø	FH [N]	FS [N]	g
GN 860-70-AP3	20	42	5.5	M5	4.5	G1/8	50	22.5	11	21	163	92	40	-	24	7	15	62.5	-	4	700	500	499
GN 860-125-AP3	28	48	6.5	M6	5.5	G1/8	70	30	14	27	202	150	48	-	29	8	19	79	-	4	1600	700	727
GN 860-200-AP3	40	53	8.5	M8	6.5	G1/8	80	35	18	35	248	160	70	-	32	11.5	20	104	-	4	2200	900	1217
GN 860-200-AP3-M	40	53	8.5	M8	6.5	G1/8	80	35	18	35	248	160	70	-	32	11.5	20	104	-	4	2200	900	1225
GN 860-300-AP3	42	74	10.5	M10	8.5	G1/4	96	46	20	41	306	196	76	-	46	10.5	29	122	-	6	2700	1200	2155
GN 860-300-AP3-M	42	74	10.5	M10	8.5	G1/4	96	46	20	41	306	196	76	-	46	10.5	29	122	-	6	2700	1200	2155
GN 860-400-AP3	66	74	12.5	M12	8.5	G1/4	106	51	22	48	360	216	104	-	45	10.5	32	154	-	8	3000	1400	3265
GN 860-400-AP3-M	66	74	12.5	M12	8.5	G1/4	106	51	22	48	360	216	104	-	45	10.5	32	154	-	8	3000	1400	3235
GN 860-70-EP3	-	42	-	M5	4.5	G1/8	50	22.5	11	21	163	92	-	48	24	7	15	62.5	4	4	700	500	505
GN 860-125-EP3	-	48	-	M6	5.5	G1/8	70	30	14	27	202	150	-	62	29	8	19	79	5	4	1600	700	723
GN 860-200-EP3	-	53	-	M8	6.5	G1/8	80	35	18	35	248	160	-	86	32	11.5	20	104	6	4	2200	900	1225
GN 860-200-EP3-M	-	53	-	M8	6.5	G1/8	80	35	18	35	248	160	-	86	32	11.5	20	104	6	4	2200	900	1245
GN 860-300-EP3	-	74	-	M10	8.5	G1/4	96	46	20	41	306	196	-	95	46	10.5	29	122	8	6	2700	1200	2170
GN 860-300-EP3-M	-	74	-	M10	8.5	G1/4	96	46	20	41	306	196	-	95	46	10.5	29	122	8	6	2700	1200	2160
GN 860-400-EP3	-	74	-	M12	8.5	G1/4	106	51	22	48	360	216	-	130	45	10.5	32	154	10	8	3000	1400	3250
GN 860-400-EP3-M	-	74	-	M12	8.5	G1/4	106	51	22	48	360	216	-	130	45	10.5	32	154	10	8	3000	1400	3226