

# GN 850

## Hook clamps with pulling action



### • Metal parts

- Zinc-plated case-hardened steel C10, blue passivated.
- Execution **T**: with pulling plunger.
- Execution **TF**: zinc-plated steel, blue passivated, with pulling hook.

### • Handle

- Oil-resistant, solid plastic, red colour.

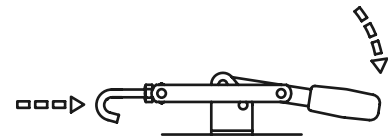


### Features and applications

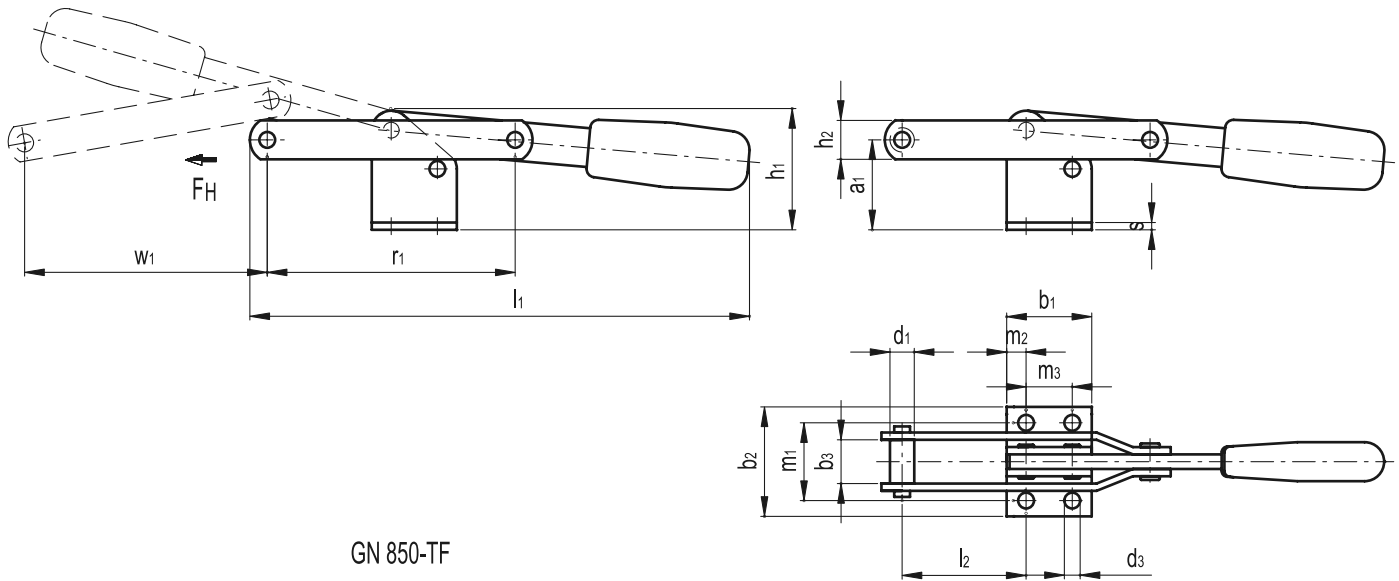
All moving parts are lubricated with special grease. GN 850 hook clamps allow a toggle and safe clamping down of hinged covers and lids. The pulling hook can be adjusted within its stroke.

14  
904

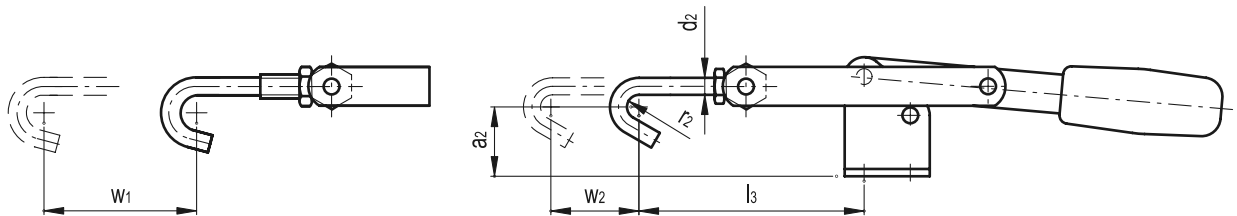
Toggle, power and hook clamps



GN 850-T



GN 850-TF



Standard Elements	Main dimensions																			Stroke	Adjustable range	Holding force	$\triangle$
Description	a1	a2	b1	b2	b3	d1	d2	d3	h1	h2	l1~	l2	l3	m1	m2	m3	r1	r2~	s	w1	w2	FH [N]	g
GN 850-200-T	37	-	35	45	18	10	-	6.5	49	16	202	51	-	32	8	19	102	-	3	100	-	2000	300
GN 850-300-T	35	-	48	60	20	10	-	8.5	49	18	228	51	-	45	8	32	105	-	3	104	-	3000	460
GN 850-400-T	43	-	54	84	26	14	-	10.5	60	25	273	60	-	60.5	13	28.5	138	-	5	160	-	4000	1000
GN 850-200-TF	37	29	35	45	18	10	7	6.5	49	16	202	51	98	32	8	19	102	5	3	100	20	2000	360
GN 850-300-TF	35	26	48	60	20	10	9	8.5	49	18	228	51	100	45	8	32	105	6	3	104	20	3000	560
GN 850-400-TF	43	30	54	84	26	14	11	10.5	60	25	273	60	120	60.5	13	28.5	138	7	5	160	20	4000	1200