

Plunger clamps

- **Sheet metal parts**
AISI 304 stainless steel.
- Execution **AS**: without mounting bracket.
- Execution **ASW**: with mounting bracket.
- **Other parts**
AISI 305 stainless steel.
- **Handle**
Oil resistant, solid plastic, red colour.

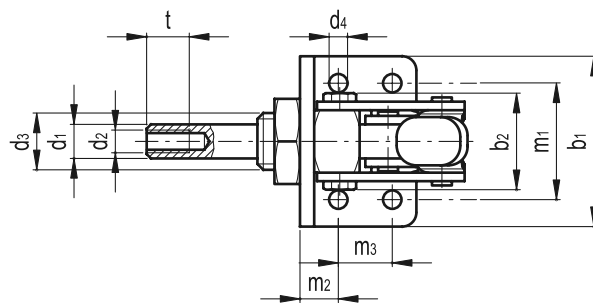
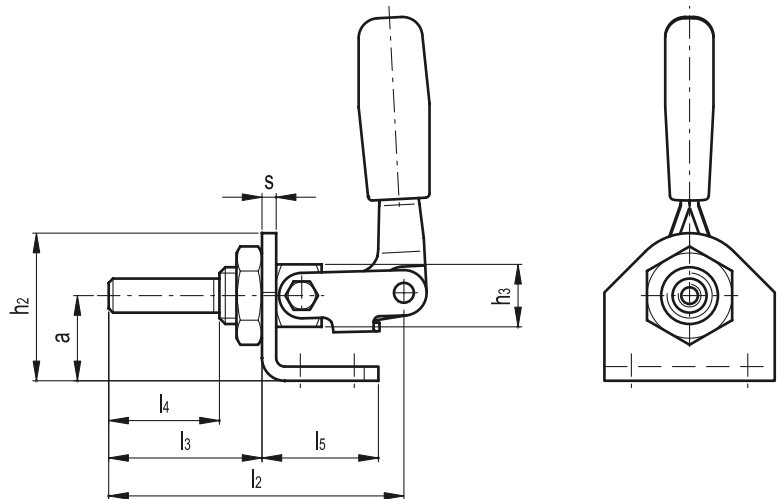
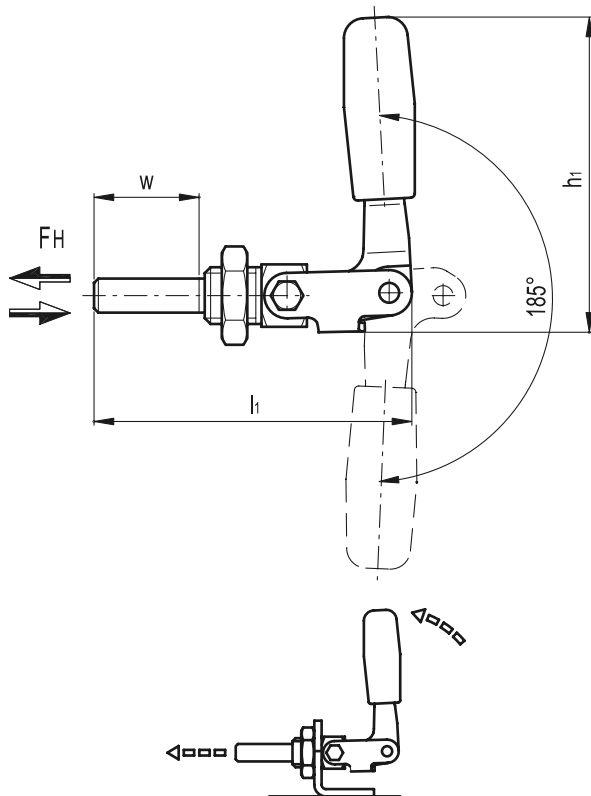
Features and applications

All moving parts are lubricated with a special grease.
Plunger clamps GN 843.1-NI can be mounted on a mounting bracket (Execution **ASW**) or directly on the jig.
The centre bush fixing method allows the operating handle to be turned into the most favourable position.
Plunger clamps GN 843.1-NI replace the standard GN 843.



GN 843.1-AS

GN 843.1-ASW



Standard Elements	Main dimensions																				Stroke	Holding force	
Description	a	b1	b2~	d1	d2	d3	d4	h1~	h2	h3	l1~	l2	l3	l4	l5	m1	m2	m3	s	t	w	FH [N]	g
GN 843.1-80-AS-NI	-	-	30	10	M6	M16x1.5	-	70	-	19	71	65	34	22	-	-	-	-	-	12	21	3000	132
GN 843.1-165-AS-NI	-	-	35	12	M8	M20x1.5	-	110	-	22	113	105	54	39	-	-	-	-	-	15	38	5400	331
GN 843.1-340-AS-NI	-	-	47.6	16	M10	M24x2	-	145	-	30	173	162	85	68	-	-	-	-	-	18	66	7000	841
GN 843.1-80-ASW-NI	24	35	30	10	M6	M16x1.5	5.5	70	38.5	19	71	65	34	22	22	20	12	-	4	12	21	3000	178
GN 843.1-165-ASW-NI	32	60	35	12	M8	M20x1.5	6.5	110	50	22	113	105	54	39	41	41	13.5	19	5	15	38	5400	483
GN 843.1-340-ASW-NI	48	75	47.6	16	M10	M24x2	8.5	145	70	30	173	162	85	68	59	55	19	25	5	18	66	7000	1121