

GN 842

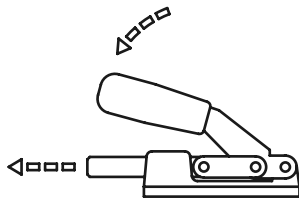
Plunger clamps for push-pull clamping

- **Base**
 - brass for sizes 70 and 160 with fixing holes with countersunk to accept;
 - countersunk bolts with internal hexagon DIN 912/M5 or M6 respectively;
 - black-oxide forged steel for sizes from 360 to 3100.
- **Metal parts**
Zinc-plated case-hardened steel C10, blue passivated.
- **Plunger**
Zinc-plated steel, blue passivated.
- **Bearing bush**
Case-hardened steel.
- **Handle**
Oil-resistant, solid plastic, red colour.



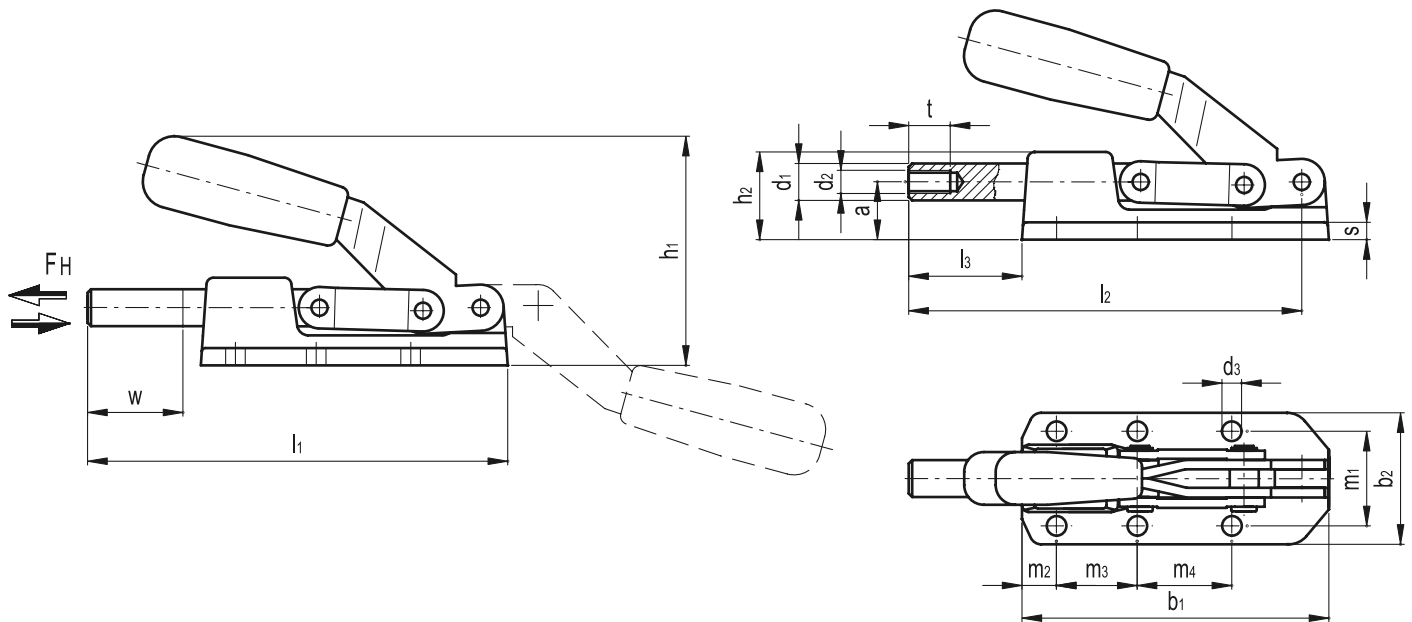
Features and applications

All moving parts are lubricated with special grease.
GN 842 plunger clamps can be used for very high holding forces thanks to their massive and sturdy body.



14
900

Toggle, power and hook clamps



Standard Elements	Main dimensions																	Stroke	Holding force	△/△
	a	b ₁	b ₂	d ₁	d ₂	d ₃	h ₁ -	h ₂ -	l ₁	l ₂	l ₃	m ₁	m ₂	m ₃	m ₄	s	t			
GN 842-70-AS	12	64	36	8.5	M6	4.3	43	20	86	78.5	22	26	13.5	26	-	6.5	12	20	1200	169
GN 842-160-AS	14.5	85	46	11	M6	5.3	56	25	117	107	32	33.5	11	36.5	-	7	12	30	2800	395
GN 842-360-AS	25	89	45.5	12	M8	5.5	74	35	121	113	32	33.5	30	36.5	-	6	16	32	5600	440
GN 842-550-AS	18	122	55	14	M8	7	77	31	164	154	42	41	15	35	41	6.5	16	42	8000	700
GN 842-1100-AS	25	132	57	16	M10	8.5	94	38	182	171	50	41	15	35	41	7.5	18	50	16000	1074
GN 842-2100-AS	35	177	70	20	M12	8.5	120	51	239	222	62	50	35	50	50	10	22	60	25000	2210
GN 842-3100-AS	40	215	76	22	M14	11	140	58	317	300	102	54	40	70	70	10	25	100	45000	3062



elesA-GANTER

ELESA and GANTER models all rights reserved in accordance with the law. Always mention the source when reproducing our drawings.