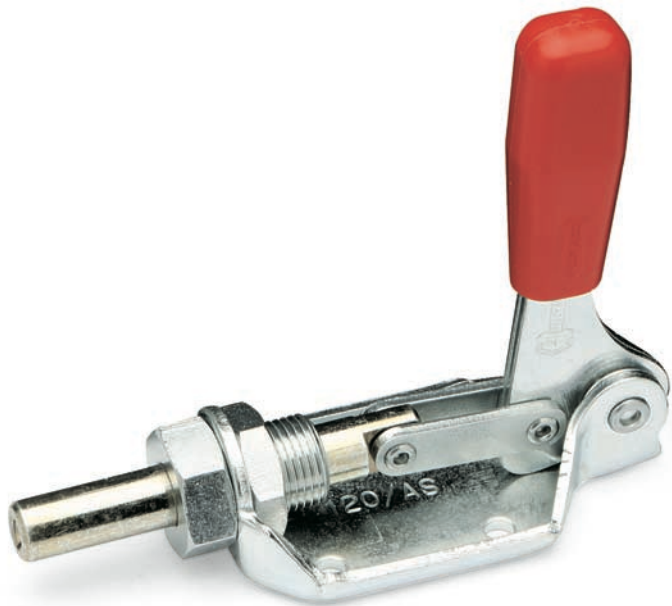


GN 841

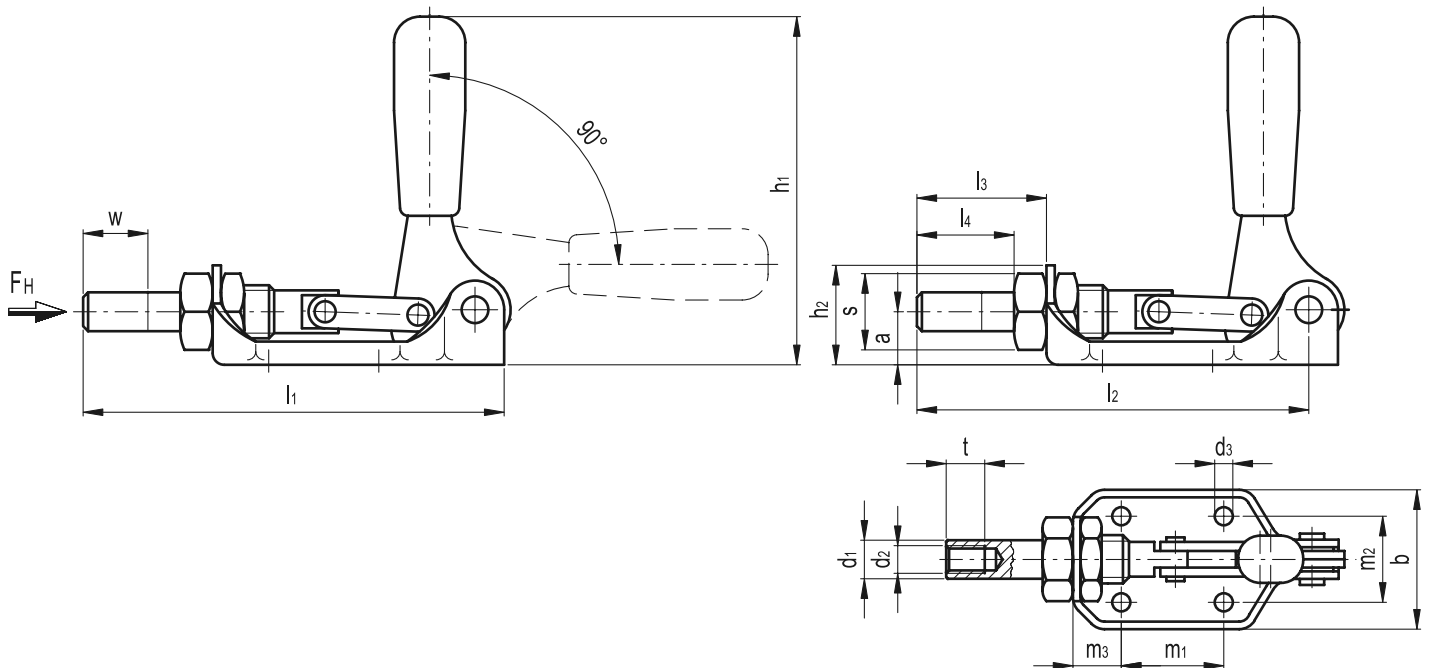
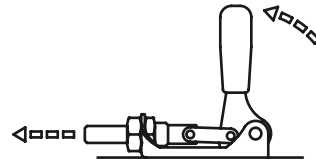
Plunger clamps for push-on clamping



- **Sheet body and metal parts**
Zinc-plated case-hardened steel C10, blue passivated.
- **Plunger**
Zinc-plated steel, blue passivated.
- **Guide bush**
Zinc-plated brass, blue passivated.
- **Handle**
Oil-resistant, solid plastic, red colour.

Features

All moving parts are lubricated with special grease.



Standard Elements	Main dimensions															Stroke	Holding force	\triangle	
Description	a	b	d1	d2	d3	h1~	h2	l1	l2	l3	l4	m1	m2	m3	s	t	w	FH [N]	g
GN 841-120-AS	17	48	12	M6	5.5	113	31	130	121	40	30	34	30	17	24	12	20	3600	330
GN 841-300-AS	20	58	14	M8	6.5	140	36	167	155	57	45	50	34	18	27	16	34	7200	600