

GN 840

Plungers clamps for push-pull clamping

• Sheet body and metal parts

Zinc-plated case-hardened steel C10, blue passivated.

- Execution **ASS**: with clamping action by turning the handle on the right.

- Execution **ASD**: with clamping action by turning the handle on the left.

• Plunger and guide bush

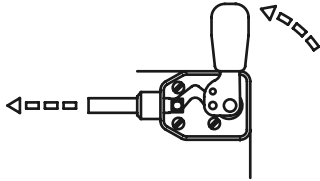
Zinc-plated steel, blue passivated.

• Handle

Oil-resistant, solid plastic, red colour.

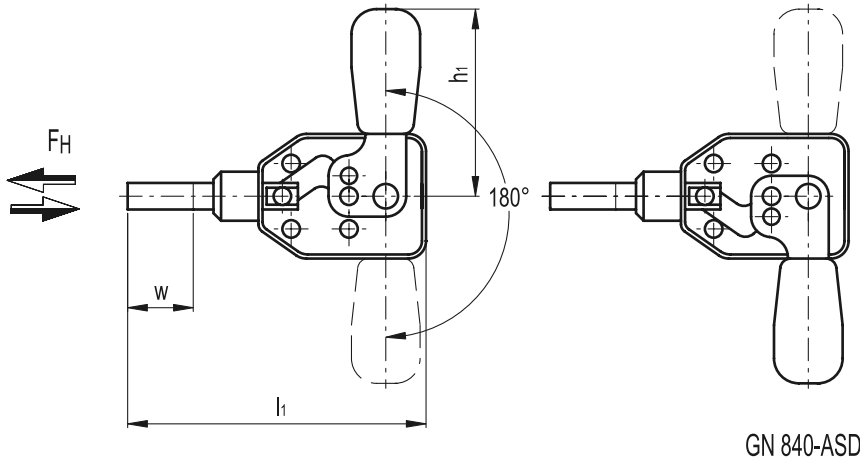
Features

All moving parts are lubricated with special grease.

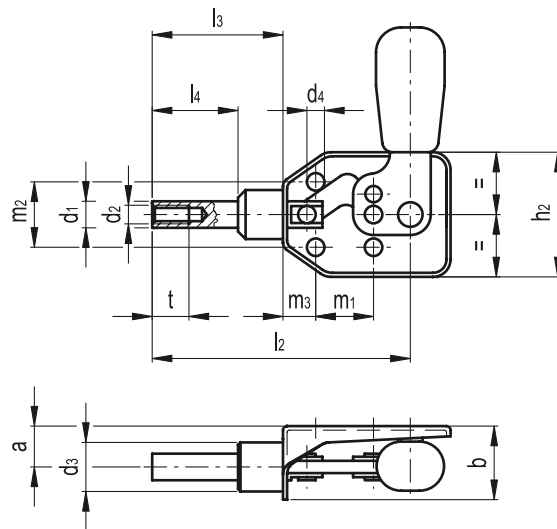


GN 840-ASD

GN 840-ASS



GN 840-ASD



14

898

Toggle, power and hook clamps

Standard Elements	Main dimensions																Stroke	Holding force	
Description	a	b	d1	d2	d3	d4	h1~	h2	l1	l2~	l3	l4	m1	m2	m3	t min	w	FH [N]	g
GN 840-50-ASD	10	18	6.5	M4	12	4.3	46	30.5	73	65	32	21	16	16	8	9	16	800	60
GN 840-50-ASS	10	18	6.5	M4	12	4.3	46	30.5	73	65	32	21	16	16	8	9	16	800	60