

GN 820

Horizontal clamps with horizontal base

• Sheet body and metal parts

Zinc-plated case-hardened steel C10, blue passivated.

- Execution **M**: with forked clamping arm with two stepped side washers.

- Execution **O**: with solid clamping arm with bolt retainer for welding.

• Bearing pin

Hardened and tempered steel.

• Bearing bushes

Case-hardened steel (available from size ≥ 355).

• Handle

Oil-resistant, solid plastic, red colour.



Features and applications

All moving parts are lubricated with special grease. A special feature for GN 820 horizontal clamp is its low profile in clamping position. They are designed in order to prevent operator's fingers from being caught between the retracting clamping arm and the operator handle (safety distance).

The clamping arm is guided on both sides during the forward movement to prevent being affected by possible side thrusts.

Order information

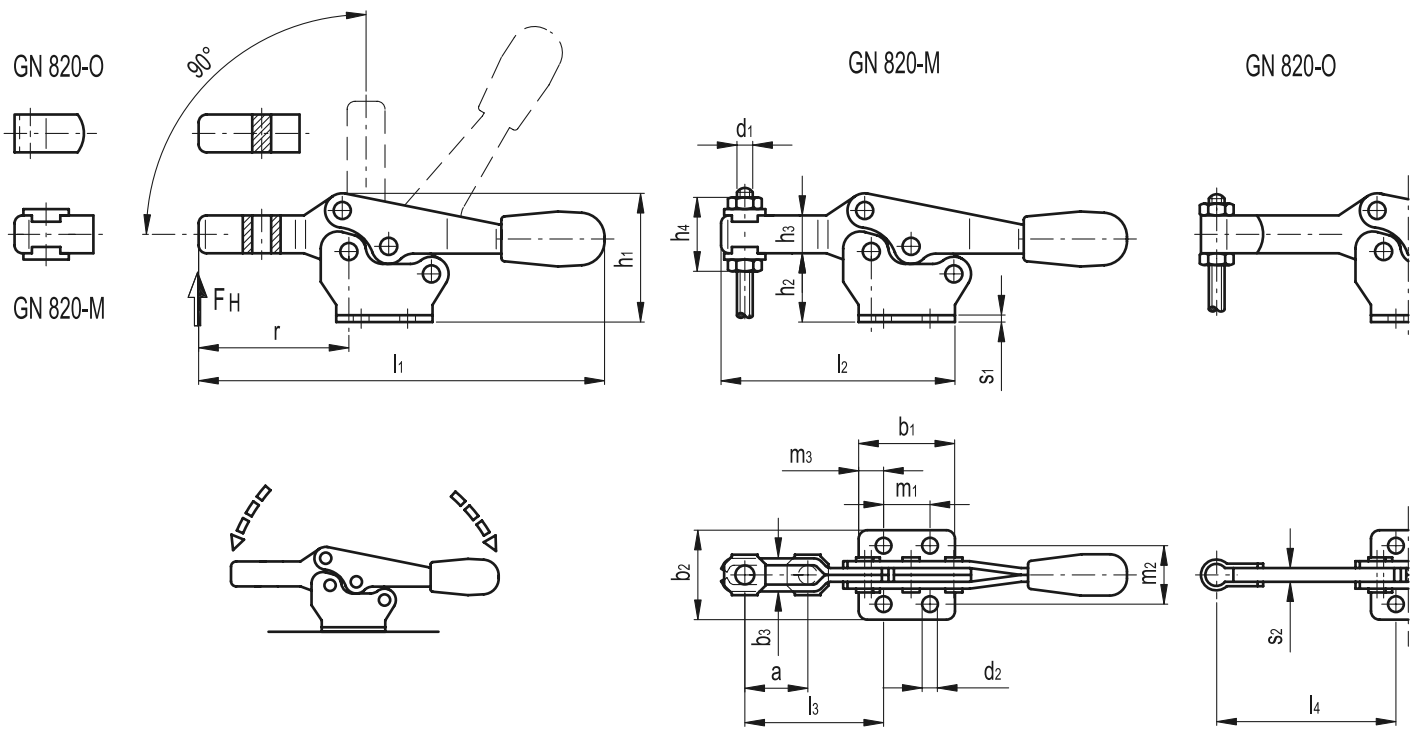
Clamping bolts to be ordered separately.



14

894

Toggle, power and hook clamps



Standard Elements	Main dimensions																				Holding force	
	a~	b1	b2	b3	d1	d2	h1	h2	h3	h4	l1	l2	l3	l4 max.	m1	m2	m3	r	s1	s2	FH [N]	g
GN 820-25-M	10	24	24.5	4.5	M4	4.3	23	12	7	15	69	43	20	-	15	16	4.5	24.5	1.2	-	400	25
GN 820-75-M	20	28	26	5.5	M5	4.5	38	20	11	22.5	118	67	40	-	13.5	17	7.2	43	2	-	900	88
GN 820-130-M	32	36	40	6.5	M6	5.5	51	29	14	27	168	92	53	-	26	26	5	62	2.5	-	1000	205
GN 820-230-M	37	44	42	8.5	M8	6.5	61.5	36	18	35	196	109	63.5	-	26	28.5	9	72	3	-	1700	330
GN 820-355-M	58	60	56	10.5	M10	8.5	83	50	22	43	270	160	96	-	41	41	9.5	108.5	3.5	-	3200	717
GN 820-455-M	65	70	65	13	M12	8.5	98	60	26	53	308	184	116	-	41.5	41.5	14.2	126	4	-	6200	1200
GN 820-75-O	-	28	26	-	M5	4.5	38	20	11	-	118	67	-	49.5	13.5	17	7.2	43	2	4	900	90
GN 820-130-O	-	36	40	-	M6	5.5	51	29	14	-	168	92	-	64	26	26	5	62	2.5	5	1000	211
GN 820-230-O	-	44	42	-	M8	6.5	61.5	36	18	-	196	109	-	78	26	28.5	9	72	3	6	1700	340
GN 820-355-O	-	60	56	-	M10	8.5	83	50	22	-	270	160	-	115	41	41	9.5	108.5	3.5	7	3200	717
GN 820-455-O	-	70	65	-	M12	8.5	98	60	26	-	308	184	-	135	41.5	41.5	14.2	126	4	10	6200	1200



ELESA-GANTER

ELESA and GANTER models all rights reserved in accordance with the law. Always mention the source when reproducing our drawings.