



# GN 820-NI

**INOX**  
Stainless Steel

## Horizontal clamps with horizontal base

### • Sheet body and metal parts

AISI 304 stainless steel.

- Execution **M**: with forked clamping arm with two stepped side washers.

- Execution **O**: with solid clamping arm with bolt retainer for welding.

### • Bearing pin

AISI 304 stainless steel.

### • Handle

Oil-resistant, solid plastic, red colour.

### Features and applications

All moving parts are lubricated with special grease. A special feature for GN 820 horizontal clamp is its low profile in clamping position. They are designed in order to prevent operator's fingers from being caught between the retracting clamping arm and the operator handle (safety distance).

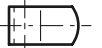
The clamping arm is guided on both sides during the forward movement to prevent being affected by possible side thrusts.

AISI 304 stainless steel, thanks to its high resistance to corrosion, allows the application of these horizontal clamps with horizontal base on machines and equipment in those sectors where laws or particular hygienic, climatic and environmental factors make it mandatory to use corrosion resistant materials.

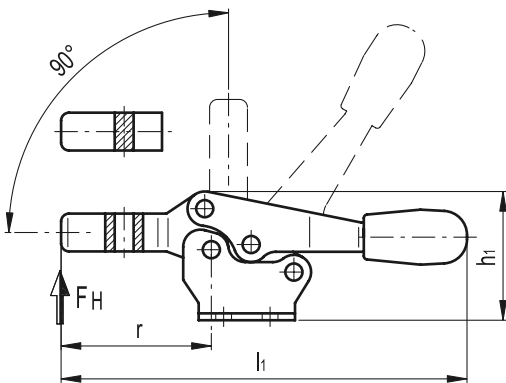
### Order information

Clamping bolts to be ordered separately.

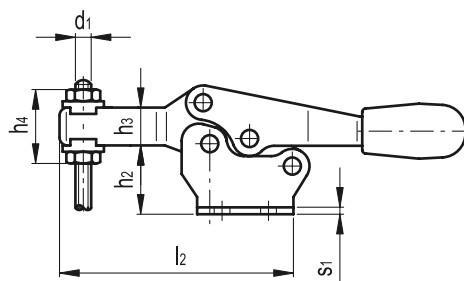
GN 820-O



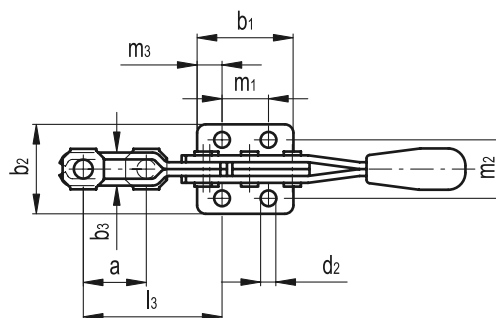
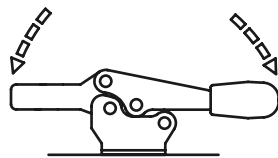
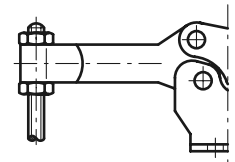
GN 820-M



GN 820-M



GN 820-O



Standard Elements	Main dimensions																			Holding force	△	
Description	a~	b1	b2	b3	d1	d2	h1	h2	h3	h4	l1	l2	l3	l4 max.	m1	m2	m3	r	s1	s2	FH [N]	g
GN 820-25-M-NI	10	24	24.5	4.5	M4	4.3	23	12	7	15	69	43	20	-	15	16	4.5	24.5	1.2	-	400	20
GN 820-75-M-NI	20	28	26	5.5	M5	4.5	38	20	11	22.5	118	67	40	-	13.5	17	7.2	43	2	-	900	80
GN 820-130-M-NI	32	36	40	6.5	M6	5.5	51	29	14	27	168	92	53	-	26	26	5	62	2.5	-	1000	202
GN 820-230-M-NI	37	44	42	8.5	M8	6.5	61.5	36	18	35	196	109	63.5	-	26	28.5	9	72	3	-	1700	330
GN 820-75-O-NI	-	28	26	-	M5	4.5	38	20	11	-	118	67	-	49.5	13.5	17	7.2	43	2	4	900	90
GN 820-130-O-NI	-	36	40	-	M6	5.5	51	29	14	-	168	92	-	64	26	26	5	62	2.5	5	1000	211
GN 820-230-O-NI	-	44	42	-	M8	6.5	61.5	36	18	-	196	109	-	78	26	28.5	9	72	3	6	1700	340