

# GN 812

## Vertical clamps

### • Sheet body and metal parts

Zinc-plated case-hardened steel C10, blue passivated.

- Execution **AV**: forked clamping arm with two stepped side washers.

- Execution **EV**: solid clamping arm with bolt retainer for welding.

### • Bearing pins

Hardened and tempered steel.

### • Bearing rivets

Case-hardened steel.

### • Handle

Oil resistant, solid plastic, red colour.

### Features and applications

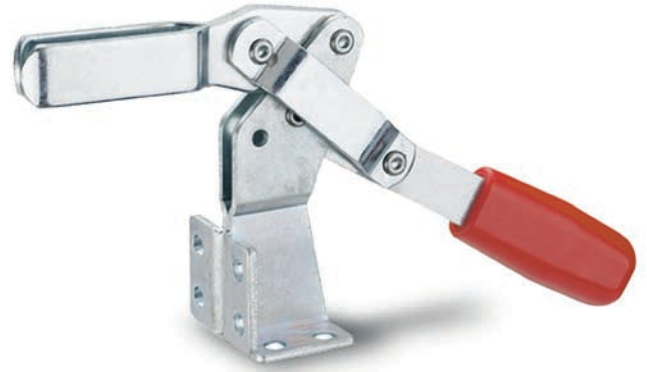
All moving parts are lubricated with special grease.

Worth pointing out is that the vertical clamp GN 812 can be mounted in two planes and requires less space for the clamping movement since the clamping arm and the operating lever are moving in opposite directions.

Furthermore the clamping arm is stamped from solid and reinforced for heavy duty application.

### Order information

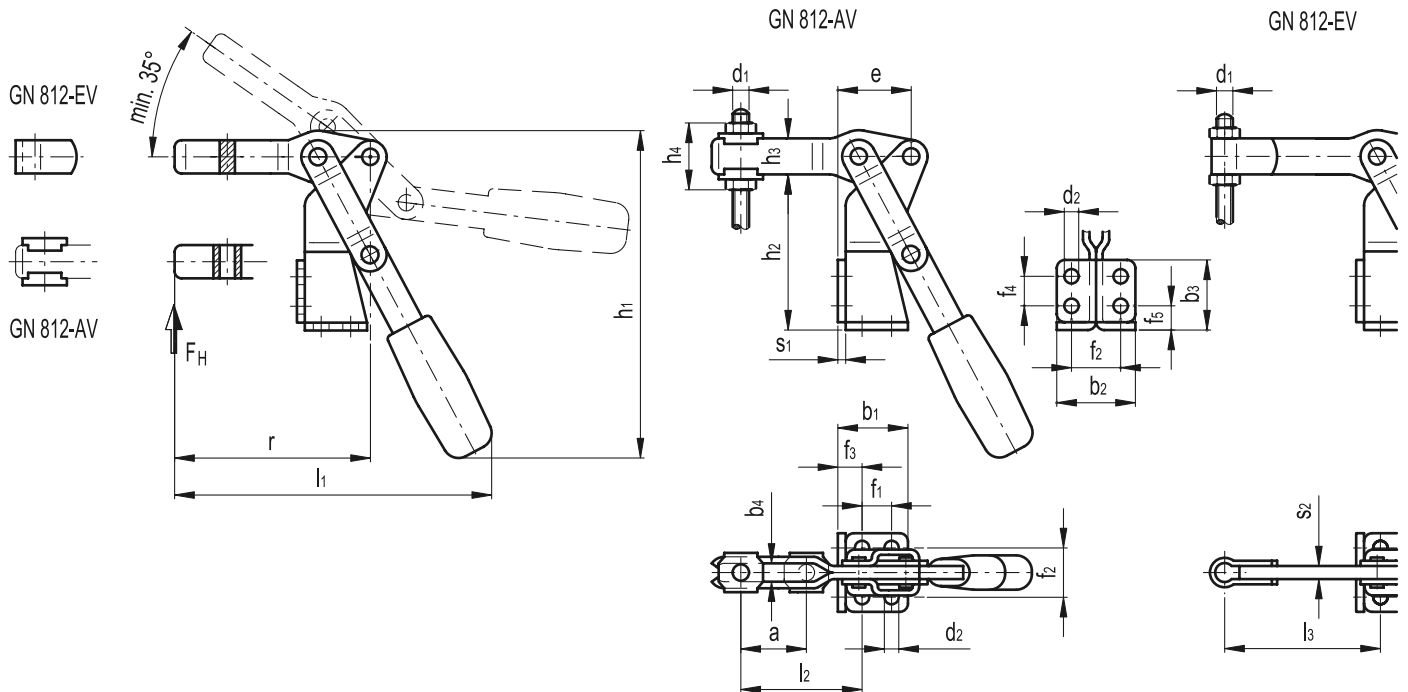
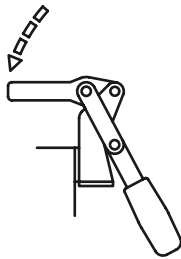
Clamping bolts to be ordered separately.



14

892

Toggle, power and hook clamps



Standard Elements	Main dimensions																				Holding force	△			
Description	a~	b1	b2	b3	b4	d1	d2	e	h1~	h2	h3	h4~	l1~	l2	l3 max	m1	m2	m3	m4	m5	r	s1	s2	FH [N]	g
GN 812-200-AV	34	35	38	35	8.5	M8	6.5	37	154	76	17	34	158	59	-	16	26	11	16	11	97	3	-	2200	420
GN 812-300-AV	42	48	48	51	10.3	M10	8.5	46	198	108	20	41	194	74	-	28	30	11.5	30	12	121	3	-	2700	800
GN 812-200-EV	-	35	38	35	-	M8	6.5	37	154	76	17	34	158	-	76	16	26	11	16	11	97	3	6	2200	420
GN 812-300-EV	-	48	48	51	-	M10	8.5	46	198	108	20	41	194	-	76	28	30	11.5	30	12	121	3	8	2700	800



**elesA-GANTER**

ELESA and GANTER models all rights reserved in accordance with the law. Always mention the source when reproducing our drawings.