

Clamping bolts

• Material

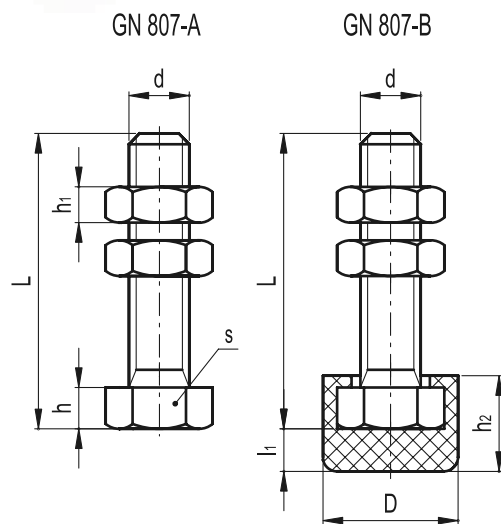
DIN 933 zinc-plated steel hexagon bolt, class 8.8 (tensile strength 800 N/mm²), blue passivated.

- Execution **A**: without protective cap.

- Execution **B**: with DIN 806 protective cap (only for d1 ≤ M12).

• Hexagon nuts

Zinc-plated steel, blue passivated.



Standard Elements	Main dimensions								Δ
Description	d	L	D	h	h1	h2	l1	s	g
GN 807-M4-23-A	M4	23	-	3	3.2	-	-	7	5
GN 807-M5-38-A	M5	38	-	3.5	4.7	-	-	8	9
GN 807-M6-29-A	M6	29	-	4	5.2	-	-	10	11
GN 807-M6-49-A	M6	49	-	4	5.2	-	-	10	17
GN 807-M8-36-A	M8	36	-	5.5	6.8	-	-	13	24
GN 807-M8-56-A	M8	56	-	5.5	6.8	-	-	13	30
GN 807-M8-96-A	M8	96	-	5.5	6.8	-	-	13	43
GN 807-M10-43-A	M10	43	-	6.5	8.4	-	-	16	47
GN 807-M10-77-A	M10	77	-	6.5	8.4	-	-	16	67
GN 807-M10-127-A	M10	127	-	6.5	8.4	-	-	16	92
GN 807-M12-53-A	M12	53	-	7.5	10.8	-	-	18	75
GN 807-M12-88-A	M12	88	-	7.5	10.8	-	-	18	101
GN 807-M12-128-A	M12	128	-	7.5	10.8	-	-	18	129
GN 807-M14-54-A	M14	54	-	9	12.8	-	-	21	109
GN 807-M4-23-B	M4	23	11	3	3.2	6.5	2.5	7	6
GN 807-M5-38-B	M5	38	12	3.5	4.7	8	2.5	8	10
GN 807-M6-29-B	M6	29	15	4	5.2	10	4	10	13
GN 807-M6-49-B	M6	49	15	4	5.2	10	4	10	19
GN 807-M8-36-B	M8	36	19	5.5	6.8	13	5.5	13	29
GN 807-M8-56-B	M8	56	19	5.5	6.8	13	5.5	13	34
GN 807-M8-96-B	M8	96	19	5.5	6.8	13	5.5	13	47
GN 807-M10-43-B	M10	43	24	6.5	8.4	16	7	16	54
GN 807-M10-77-B	M10	77	24	6.5	8.4	16	7	16	74
GN 807-M10-127-B	M10	127	24	6.5	8.4	16	7	16	99
GN 807-M12-53-B	M12	53	26	7.5	10.8	19	8.5	18	85
GN 807-M12-88-B	M12	88	26	7.5	10.8	19	8.5	18	111
GN 807-M12-128-B	M12	128	26	7.5	10.8	19	8.5	18	139

Clamping bolts

• Material

AISI 304 stainless steel.

- Execution **A**: without protective cap.

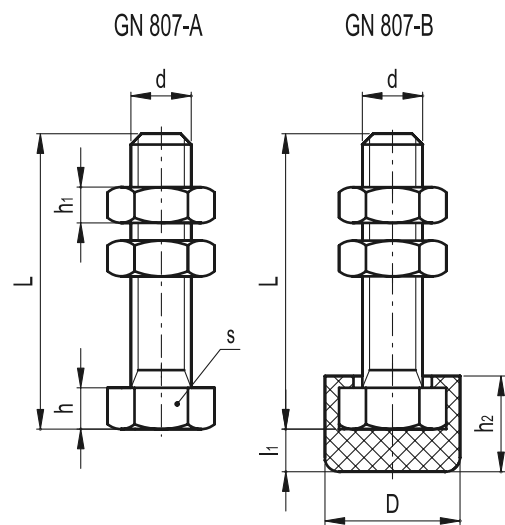
- Execution **B**: with DIN 806 protective cap.

• Hexagon nuts

AISI 304 stainless steel.

Features and applications

AISI 304 stainless steel, thanks to its high resistance to corrosion, allows the application of these clamping bolts on machines and equipment in those sectors where laws or particular hygienic, climatic and environmental factors make it mandatory to use corrosion resistant materials.



Standard Elements	Main dimensions								Δ
Description	d	L	D	h	h1	h2	l1	s	g
GN 807-M4-23-A-NI	M4	23	-	3	3.2	-	-	7	5
GN 807-M5-38-A-NI	M5	38	-	3.5	4.7	-	-	8	9
GN 807-M6-29-A-NI	M6	29	-	4	5.2	-	-	10	11
GN 807-M6-49-A-NI	M6	49	-	4	5.2	-	-	10	17
GN 807-M8-36-A-NI	M8	36	-	5.5	6.8	-	-	13	24
GN 807-M8-56-A-NI	M8	56	-	5.5	6.8	-	-	13	30
GN 807-M8-96-A-NI	M8	96	-	5.5	6.8	-	-	13	43
GN 807-M4-23-B-NI	M4	23	11	3	3.2	6.5	2.5	7	6
GN 807-M5-38-B-NI	M5	38	12	3.5	4.7	8	2.5	8	10
GN 807-M6-29-B-NI	M6	29	15	4	5.2	10	4	10	13
GN 807-M6-49-B-NI	M6	49	15	4	5.2	10	4	10	19
GN 807-M8-36-B-NI	M8	36	19	5.5	6.8	13	5.5	13	29
GN 807-M8-56-B-NI	M8	56	19	5.5	6.8	13	5.5	13	34
GN 807-M8-96-B-NI	M8	96	19	5.5	6.8	13	5.5	13	47