

# GN 802

## Clamping bolts

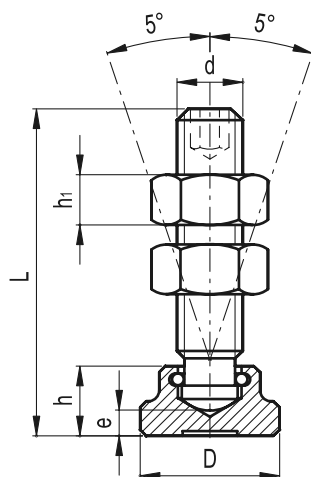


- **Body**  
DIN 6332 (see page 598) black-oxide steel grub screw with hexagon socket head.
- **Thrust pad**  
DIN 6311 (see page 599) turned and hardened black-oxide steel with retaining ring.
- **Hexagon nuts**  
Zinc-plated steel, blue passivated.

### Applications

By means of the retaining ring in the clamping pad a simple and toggle link between bolt and clamping pad is created.

The clamping pad is removable thus allowing a direct clamping with the hardened bolt end.



Standard Elements	Main dimensions						$\Delta$
Description	d	L	D	e	h	h <sub>1</sub>	g
GN 802-M5-37*	M5	37	14	-	10	4.7	12
GN 802-M6-32	M6	32	12	2.2	7	5.2	15
GN 802-M6-42	M6	42	12	2.2	7	5.2	17
GN 802-M6-52	M6	52	12	2.2	7	5.2	19
GN 802-M8-38	M8	38	16	3	9	6.8	28
GN 802-M8-48	M8	48	16	3	9	6.8	30
GN 802-M8-63	M8	63	16	3	9	6.8	34
GN 802-M8-83	M8	83	16	3	9	6.8	41
GN 802-M10-44	M10	44	20	3.6	11	8.4	53
GN 802-M10-54	M10	54	20	3.6	11	8.4	58
GN 802-M10-64	M10	64	20	3.6	11	8.4	63
GN 802-M10-84	M10	84	20	3.6	11	8.4	72
GN 802-M12-55	M12	55	25	4.5	13	10.8	92
GN 802-M12-65	M12	65	25	4.5	13	10.8	96
GN 802-M12-85	M12	85	25	4.5	13	10.8	110
GN 802-M12-105	M12	105	25	4.5	13	10.8	120

\* Clamping bolt M5: bolt end and clamping pad not hardened. Pad not removable.