



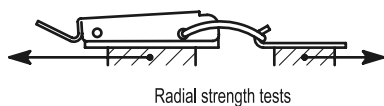
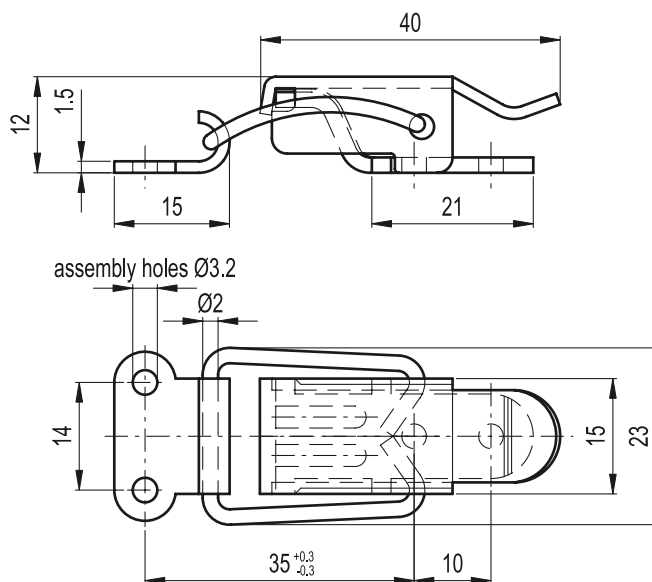
## Hook clamps

- **Lever body**  
TLV.Z: zinc-plated steel.  
TLV.S: AISI 304 stainless steel.
- **Catch bracket**  
TLV.Z: zinc-plated steel.  
TLV.S: AISI 304 stainless steel.

**Special executions on request** (For sufficient quantities)  
Catch brackets in different shapes and finishes.

### Features and applications

AISI 304 stainless steel, thanks to its high resistance to corrosion, allows the application of the TLV.S hook clamps on machines and equipment in those sectors where laws or particular hygienic, climatic and environmental factors make it mandatory to use corrosion resistant materials.



Elesa Standards		Maximum working load	Load at breakage	⚖
Code	Description	[N]	[N]	g
420243	TLV.Z-15/56+R	550	1000	23
420242	TLV.S-15/56+R	550	1000	23