

Hook clamps

- **Lever body**

TLI.Z: zinc-plated steel.

TLI.S: AISI 304 stainless steel.

Special executions on request (For sufficient quantities)

Unplated steel or nickel-plated steel.

Features and applications

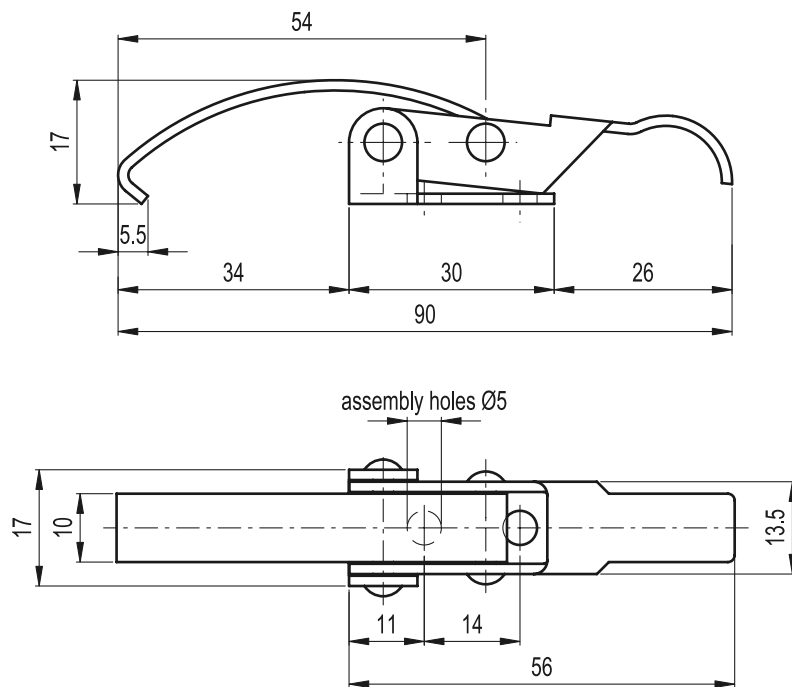
AISI 304 stainless steel, thanks to its high resistance to corrosion, allows the application of the TLI.S hook clamps on machines and equipment in those sectors where laws or particular hygienic, climatic and environmental factors make it mandatory to use corrosion resistant materials.



14

950

Toggle, power and hook clamps



Elesa Standards		Maximum working load	Load at breakage	Δ
Code	Description	[N]	[N]	g
420131	TLI.Z-13.5/90	500	900	28
420132	TLI.S-13.5/90	500	900	28

