

Hook clamps



- **Body lever**

TLG.Z: zinc-plated steel.

TLG.S: AISI 304 stainless steel.

- **Catch bracket**

TLG.Z: zinc-plated steel.

TLG.S: AISI 304 stainless steel.

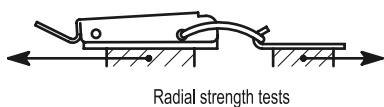
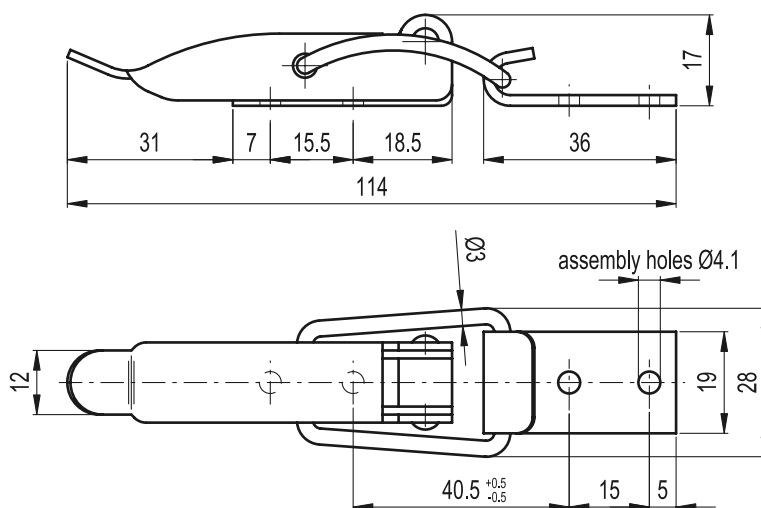
Special executions on request (For sufficient quantities)

- Hook clamps in unplated steel or nickel-plated steel.

- Catch brackets in different shapes and finishes.

Features and applications

AISI 304 stainless steel, thanks to its high resistance to corrosion, allows the application of the TLG.S hook clamps on machines and equipment in those sectors where laws or particular hygienic, climatic and environmental factors make it mandatory to use corrosion resistant materials.



Elesa Standards		Maximum working load	Load at breakage	⚖
Code	Description	[N]	[N]	g
420111	TLG.Z-12/114+R	1000	2500	59
420112	TLG.S-12/114+R	1000	2500	59