

GN 821

Hook clamps

Material

- Zinc-plated steel, blue passivated.
- Execution **A**: without safety catch.
- Execution **S**: with safety catch.
- Execution **SV**: for safety with padlock.
- Execution **SS**: with lock.

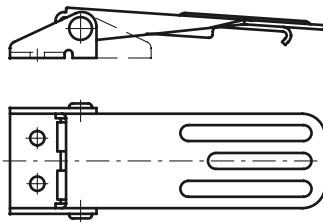
Features and applications

GN 821 hook clamps are used for the secure holding of flaps, container lids etc. The clamping action locks securely on the centre and thus they are vibration proof.

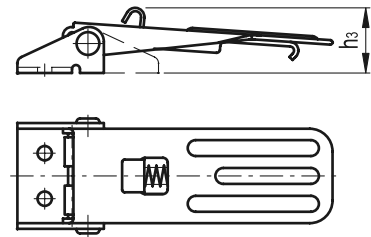
The load values specified in the here-under table are simply guideline values for a nominal static pulling force which the hook can bear. The pulling force can be adversely affected according to the conditions under which the hook lock clamps are used (vibrations, shock loads, etc.)



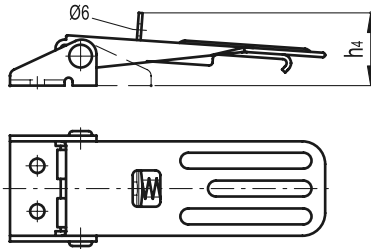
GN 821-A



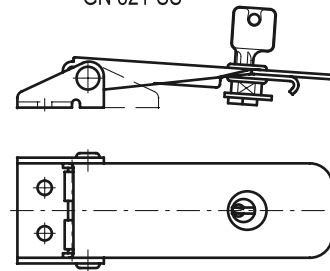
GN 821-S



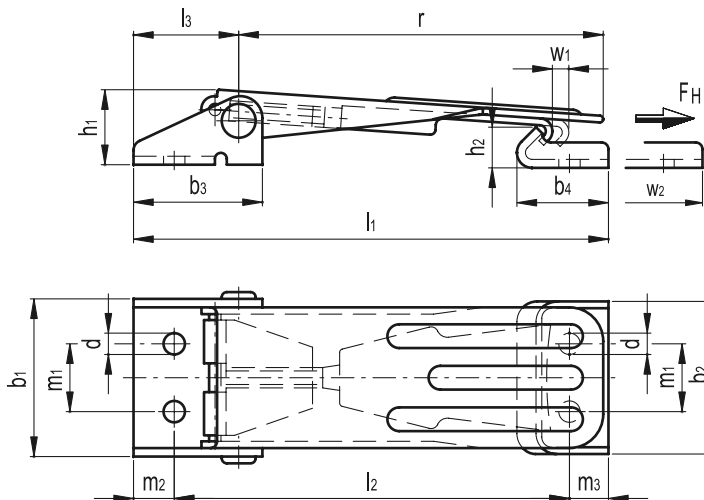
GN 821-SV



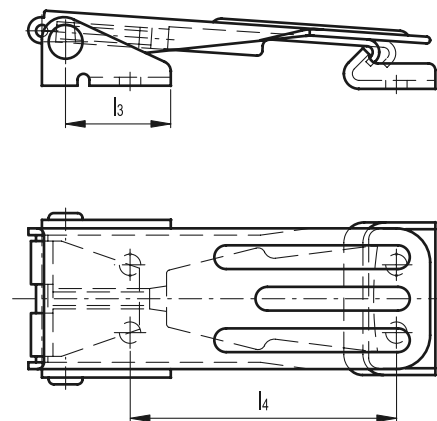
GN 821-SS



GN 821-1



GN 821-2



Standard Elements	Main dimensions																	Stroke	Adjustable range	Holding force	△
	Description	b1	b2	b3	b4	d	h1	h2	h3	h4	l1 min	l2 min	l3	l4 min	m1	m2	m3				
GN 821-400-A-ST-*	46.5	45	38	28	6.3	22	12	-	-	144	120.5	32	83.5	20	12	11.5	107.5	6.5	10	4000	210
GN 821-400-S-ST-*	46.5	45	38	28	6.3	22	12	28.5	-	144	120.5	32	83.5	20	12	11.5	107.5	6.5	10	4000	220
GN 821-400-SV-ST-*	46.5	45	38	28	6.3	22	12	-	32.5	144	120.5	32	83.5	20	12	11.5	107.5	6.5	10	4000	220
GN 821-400-SS-ST-*	46.5	45	38	28	6.3	22	12	-	-	144	120.5	32	83.5	20	12	11.5	107.5	6.5	10	4000	240

* Complete the description of the standard item needed by adding 1 (for long type) or 2 (for short type).



ELESA-GANTER

ELESA and GANTER models all rights reserved in accordance with the law. Always mention the source when reproducing our drawings.