

ELESA Original design

## Handle with safety locking device



### • Material

Glass-fibre reinforced polyamide based (PA) technopolymer with security anti-intrusion-profiled slot. Resistant to solvents, oils, greases and other chemical agents.

### • Colour

Grey-black, matte finish.

### • Safety locking device

Button: technopolymer, red colour.

Pin: AISI 304 stainless steel.

### • Caps

Technopolymer in Ergostyle colours, matte finish. Supplied not assembled, press-fit assembly, removable by a screwdriver.

Available also as accessories sold separately (see table below).

Code	Description	Caps for
29831-*	ECA.B1-*	EBR.150

\* Complete the code and the description by adding the index of the colour (C1,.....,C6).



13

884

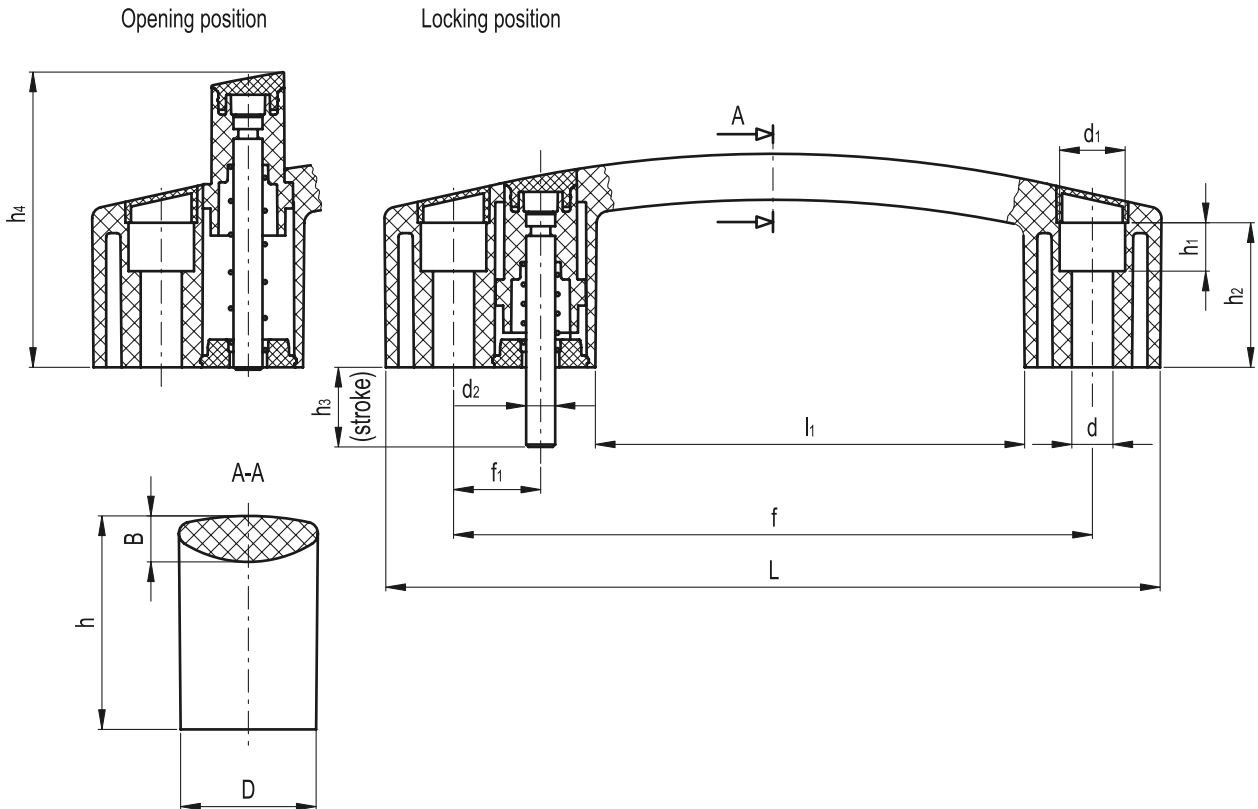
Latches

### • Assembly

Through holes for cylindrical head screws with hexagon socket.

### Features and applications

AISI 304 stainless steel, thanks to its high resistance to corrosion, allows the application of these knobs on machines and equipment in those sectors where laws or particular hygienic, climatic and environmental factors make it mandatory to use corrosion resistant materials.



**C1** RAL 7021 **C2** RAL 2004 **C3** RAL 7035 **C4** RAL 1021 **C5** RAL 5024 **C6** RAL 3000

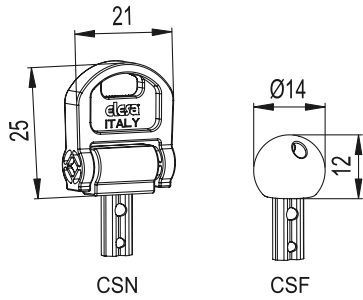


Standard Elements		Main dimensions										Mounting holes				F1	F2	L1	L2	△△
Code	Description	L	f	D	h	h4	B	l1	f1	d2	h3	d	d1	h1	h2	[N]	[N]	[J]	[J]	g
260531-*	EBR.150-8-*	160	132±0.5	28	44	56	8.5	89	18	6	16	8.5	13.5	10	30	2800	2900	35	8	90

\* Complete the code and the description of the standard item needed by adding the index of the colour of the caps (C1,.....,C6) ex: 260531-C2 EBR.150-8-C2.

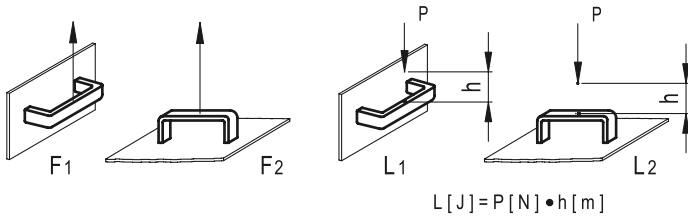
• **Key (to order separately)**

- **CSN.** (code 6951): acetal resin based (POM) technopolymer fold-away key, red colour, anti-intrusion-profiled stainless steel insert.
  - **CSF.** (code 6952): polyamide based (PA) technopolymer ball key, red colour, anti-intrusion-profiled stainless steel insert.
- On request and for sufficient quantities the security keys can be supplied in black colour too.



**Technical data**

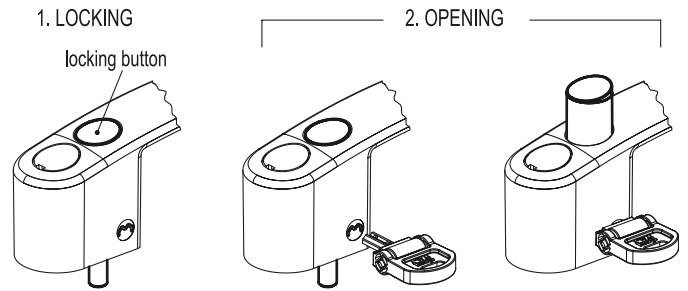
Tensile stress and impact strength: F1, F2, L1 and L2 values reported in the table are the result of breaking tests carried out with the appropriate dynamometric equipment under the test conditions shown in the figure with ambient temperature.



• **Functioning of the safety device**

EBR. handle with safety locking device has been designed to be opened only by authorised people, provided with the proper key.

1. **Locking:** press the locking button until the red part of it disappears completely into the body and the device snaps.  
**Warning: be sure the key is not inserted during locking operations.**
2. **Opening:** insert the key (without turning it) and make the device snap.



Application example

