

CSMT-A

Latch-type handles with lock and antirotation device

PA

- **Handle and stator**

Glass reinforced polyamide based (PA) technopolymer, black colour, RAL 3020 red colour mobile part. Resistant to solvents, oils, greases and other chemical agents.

- **Rotor**

Zinc alloy

- **Springs**

Stainless steel.

- **Front plate**

Stainless steel.

- **Nut**

Technopolymer (M22x1.5).

- **Flat closing lever**

Zinc-plated steel, thickness 3 mm.

- **Retaining washer**

NBR rubber.

- **Self-tapping screw**

Zinc-plated steel.

- **Two keys**

Nickel-plated brass, removable in two positions at 180°.

- **Rotation**

90° right.

- **IP protection**

IP 65 protection class, according to IEC 529 table (see page 503).

- **Standard executions available**

- **CSMT-A**: lock with 400 different combinations. Each lock has a two keys with different combination.
- **CSMTU-A**: lock with one combination. All locks have two keys with the same combination.

Special executions on request (For sufficient quantities)

Closing levers in other dimensions.

Features and applications

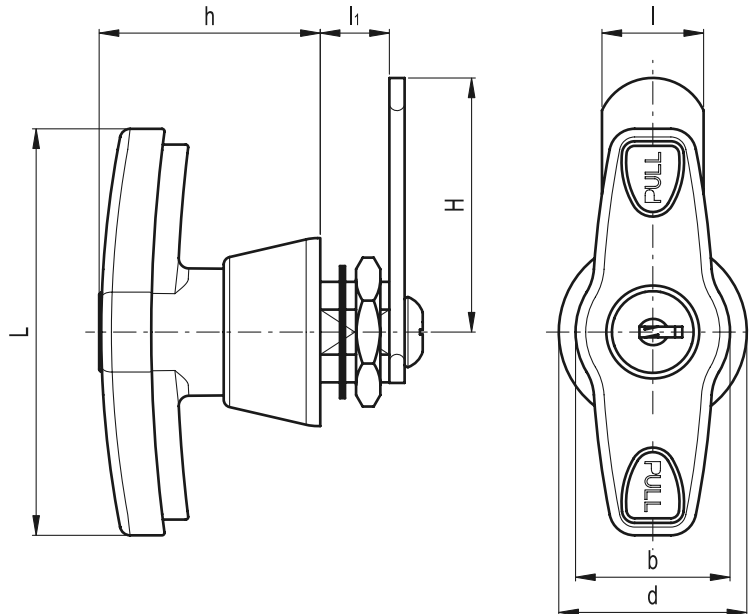
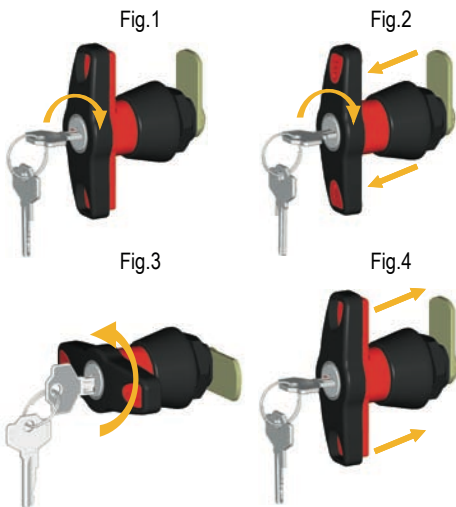
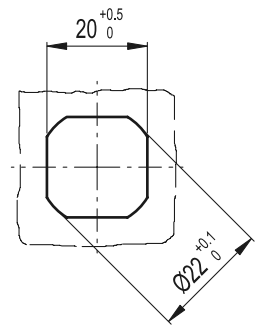
Latch-type handles with antirotation device CSMT-A are particularly suitable for application on cabinets or doors subject to strong vibrations. The antirotation device prevents the handle to rotate accidentally, therefore the door to open, in the presence of vibrations even when the lock is open.

After opening the lock by means of the key (fig. 1) the handle can be turned by pulling the red body towards the operator (fig.2).

By turning the handle in the lock position (fig.3), the antirotation mechanism is engaged automatically (fig.4).



Drilling template



Standard Elements		Main dimensions							⚖
Code	Description	H	L	b	h	d	l	h ₁	g
421525	CSMT-A-50	50	80	30	43	37	20	13.5	130
421527	CSMTU-A-50	50	80	30	43	37	20	13.5	130