

CSMT.

PA

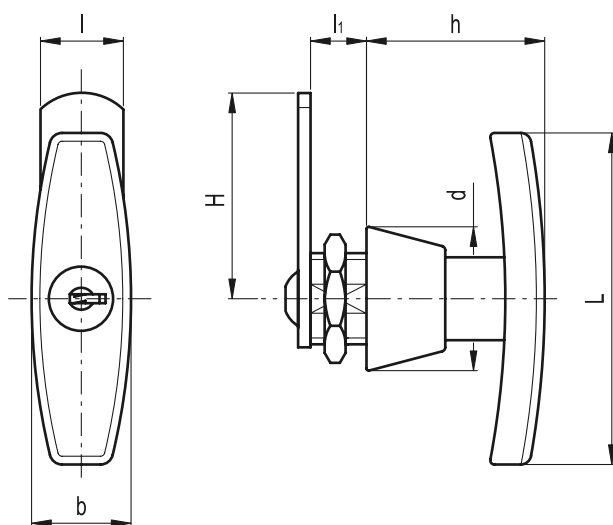
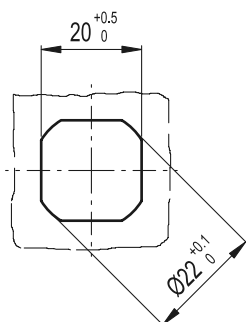
Latch-type handles with lock



- **Handle and stator**
Glass-fibre reinforced polyamide based (PA) technopolymer. Resistant to solvents, oils, greases and other chemical agents.
- **Rotor**
Chrome-plated zinc alloy.
- **Front plate**
Stainless steel.
- **Nut**
Technopolymer (M22x1.5).
- **Flat closing lever**
Zinc-plated steel, thickness 3 mm.
- **Retaining washer**
NBR rubber.
- **Self-tapping screw**
Zinc-plated steel.
- **Two keys**
Nickel-plated brass, removable in two positions at 180°.
- **Rotation**
90° right.
- **Standard executions available**
 - CSMT.: lock with 400 different combinations. Each lock has a key with different combination.
 - CSMTU.: lock with one combination. All locks have a key with the same combination.

Special executions on request (For sufficient quantities)
Closing levers in other dimensions.

Drilling template



Standard Elements		Main dimensions							△△
Code	Description	H	L	b	h	d	l	l ₁	g
421521	CSMT.50	50	80	24	43	37	20	13.5	107
421523	CSMTU.50	50	80	24	43	37	20	13.5	107