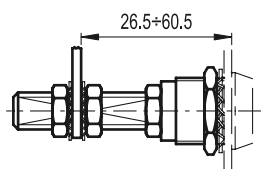




## Latch-type handles with lock

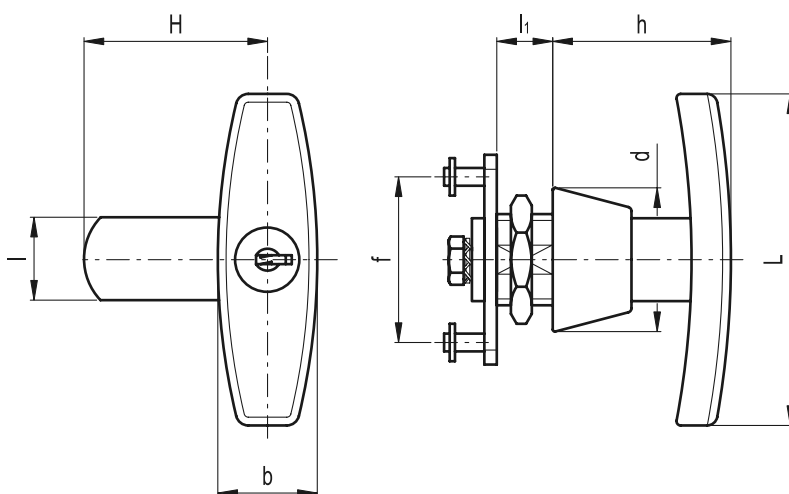
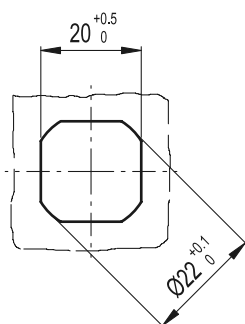
- **Handle and stator**  
Glossy chrome-plated zinc alloy.
- **Rotor**  
Chrome-plated zinc alloy.
- **Front plate**  
Stainless steel.
- **Nut**  
Brass (M22x1.5).
- **Spring washer**  
Black-oxide steel.
- **Washer**  
Zinc-plated steel.
- **Closing levers**  
Zinc-plated steel flat and two-point closing lever, thickness 3 mm.
- **Screw**  
Zinc-plated steel (M7x10).
- **Two keys**  
Nickel-plated brass, removable in two positions at 180°.
- **Rotation**  
90° right.
- **Standard executions available**
  - CSM.: lock with 400 different combinations. Each lock has a key with different combination.
  - CSMU.: lock with one combination. All locks have a key with the same combination.



### Special executions and accessories (For sufficient quantities)

- Closing levers in other dimensions.
- Brass threaded extension for prolonged positioning of the lever (code 421140 description C.PQ M7/53).

Drilling template



Standard Elements		Main dimensions								△△
Code	Description	H	L	b	h	d	l	l <sub>1</sub>	f	g
421511	CSM.50	50	80	24	43	35	20	13.5	42	240
421513	CSMU.50	50	80	24	43	35	20	13.5	42	240