

GN 218

Cam latches

• Material

Sintered steel.

- Execution **L**: with left turn clamping direction.

- Execution **R**: with right turn clamping direction.

Features and applications

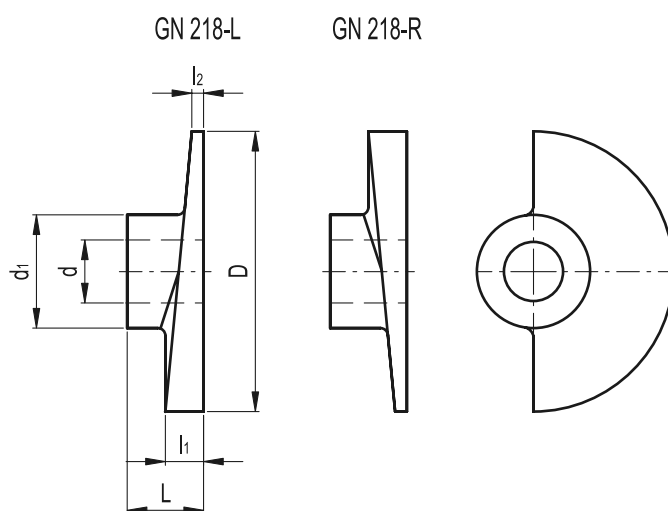
GN 218 cam latches are available as right or left hand models according to the direction the door should be open.



13

860

Latches



Standard Elements	Main dimensions					Mounting hole	\triangle
Description	D	L ~	d ₁	l ₁	l ₂	d H8	g
GN 218-SM-35-B8-L	35	15	18	7	3	8	34
GN 218-SM-35-B8-R	35	15	18	7	3	8	34
GN 218-SM-35-B10-L	35	15	18	7	3	10	31
GN 218-SM-35-B10-R	35	15	18	7	3	10	31
GN 218-SM-65-B12-L	65	20	23	7	5	12	117
GN 218-SM-65-B12-R	65	20	23	7	5	12	117
GN 218-SM-80-B16-L	80	24	27	9	6	16	199
GN 218-SM-80-B16-R	80	24	27	9	6	16	199



elessa+GANTER

ELESA and GANTER models all rights reserved in accordance with the law. Always mention the source when reproducing our drawings.