

Latches with safety lock

- **Lock**
With opposing blades and double track key with internal profile.
- **Stator**
Glossy chrome-plated zinc alloy.
- **Rotor**
Chrome-plated zinc alloy with drill-proof hardened steel plate and stainless steel front plate.
- **Nut**
Brass (M19x1).
- **Spring washer**
Zinc-plated steel.
- **Closing lever**
Zinc-plated steel, thickness 2.5 mm.
- **Screw**
Zinc-plated steel (M5x5).
- **Two reversible keys**
Nickel-plated brass, removable in two positions at 180°.
- **Rotation**
180°.
- **IP protection**
IP 65 protection class, according to IEC 529 table (see page 503).
- **Standard executions available**
 - CX.: lock with 15,660 different combinations. Each lock has a key with different combination.
 - CXU.: lock with one combination. All locks have a key with the same combination.



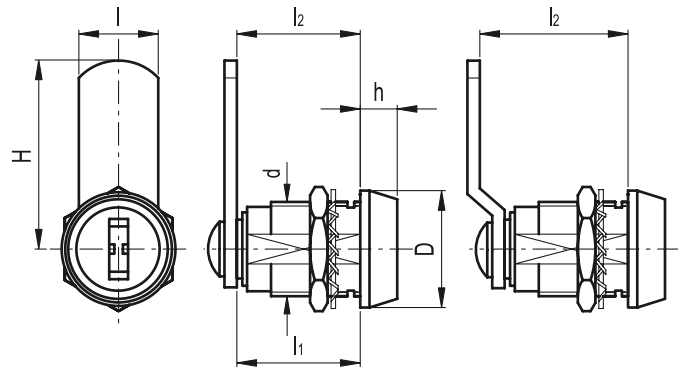
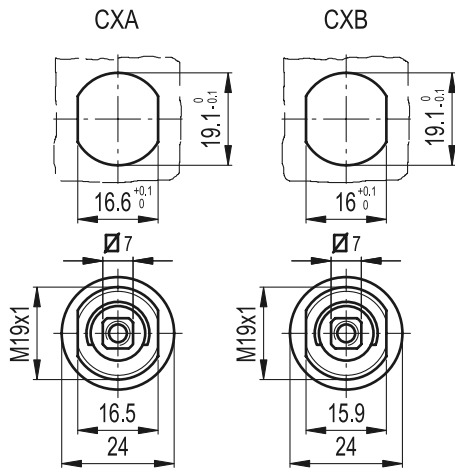
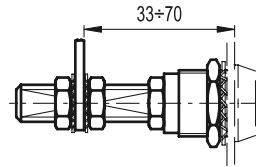
13

876

Latches

Special executions and accessories (For sufficient quantities)

- Closing levers in other dimensions.
- Brass threaded extension for prolonged positioning of the lever (code 421137 description C.PQ M5/58).



Standard Elements		Main dimensions							⚖
Code	Description	H	l ₂	D	d	h	l	l ₁	g
421611	CXA.32-23	32	22.5	24	M19x1	7	16	22.5	60
421613	CXAU.32-23	32	22.5	24	M19x1	7	16	22.5	60
421615	CXA.36-28	35.5	27.5	24	M19x1	7	16	22.5	62
421617	CXAU.36-28	35.5	27.5	24	M19x1	7	16	22.5	62
421619	CXB.32-23	32	22.5	24	M19x1	7	16	22.5	60
421621	CXBU.32-23	32	22.5	24	M19x1	7	16	22.5	60
421623	CXB.36-28	35.5	27.5	24	M19x1	7	16	22.5	62
421625	CXBU.36-28	35.5	27.5	24	M19x1	7	16	22.5	62